

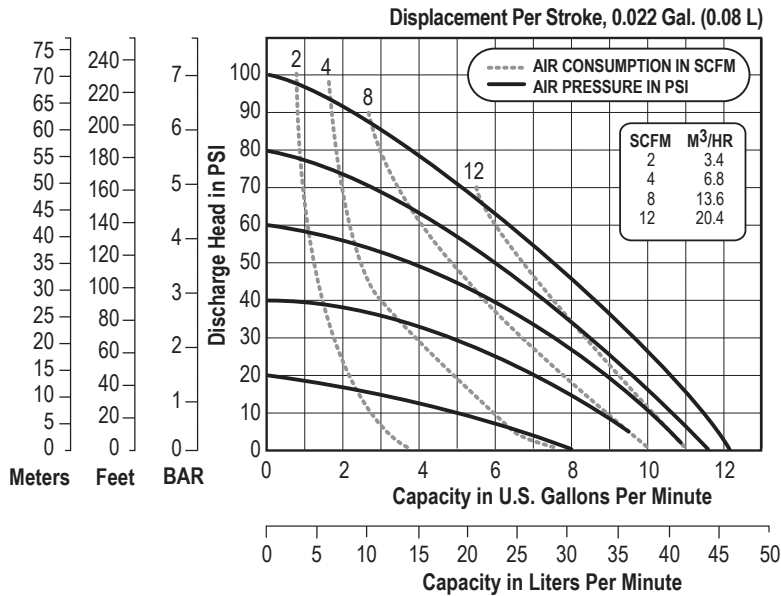
# E5 DATA SHEET

## SPECIFICATIONS & PERFORMANCE

# 1/2" Bolted Metal – ATEX

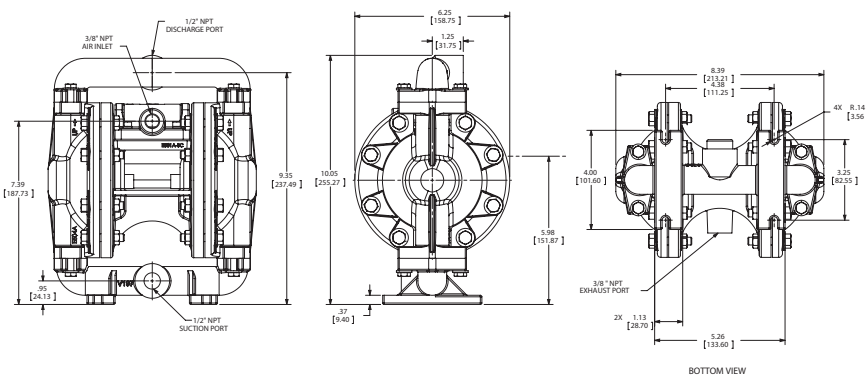
with Metal Center Section

### PERFORMANCE



NOTE: Performance based on the following: elastomeric fitted pump, flooded suction, water at ambient conditions. The use of other materials and varying hydraulic conditions may result in deviations in excess of 5%.

### DIMENSIONS



### SPECIFICATIONS

#### Flow Rate

Adjustable to . . . 0-12 gpm (45.4 lpm)

#### Port Size

Suction . . . . . 1/2" NPT

Discharge . . . . . 1/2" NPT

Air Inlet . . . . . 3/8" NPT

Air Exhaust . . . . . 3/8" NPT

#### Suction Lift

Dry . . . . . 13' (3.9 m)

Wet . . . . . 22' (6.7 m)

#### Max Solid Size (Diameter)

. . . . . 1/16" (1.6 mm)

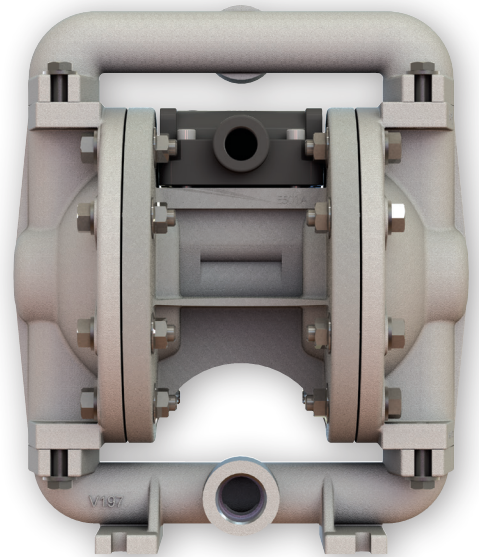
Max Noise Level . . . . . 84 dB(A)

#### Shipping Weights

Aluminum . . . . . 11 lbs (3.9 kg)

Stainless . . . . . 17 lbs (7.7 kg)

Alloy C. . . . . 17 lbs (7.7 kg)



# VERSAMATIC®

Warren Rupp, Inc. | A Unit of IDEX Corporation  
 800 North Main Street | Mansfield, OH 44902 USA  
 Phone: 419.526.7296 | Fax: 419.526.7289

[VERSAMATIC.COM](http://VERSAMATIC.COM)

e5mdlCdsATEX-rev0519

©Copyright 2019 Warren Rupp, Inc. All Rights Reserved.