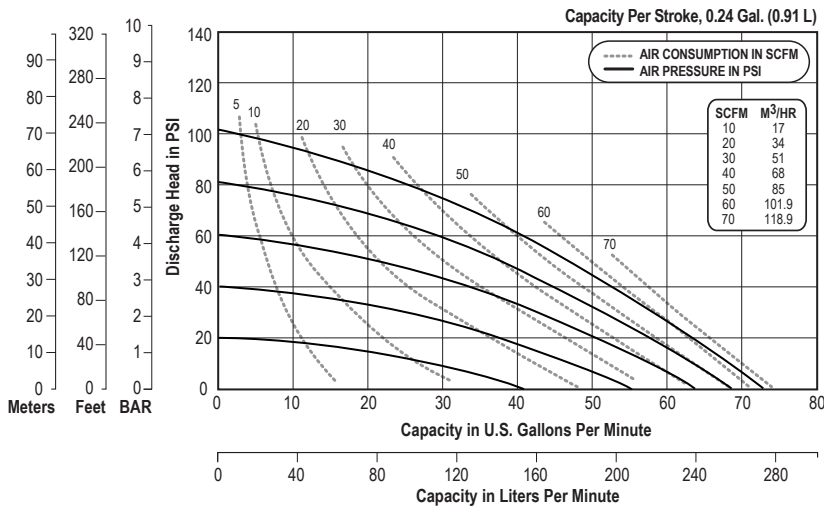


E4 DATA SHEET

SPECIFICATIONS & PERFORMANCE

1 1/2" Bolted Plastic with Metal Center Section

PERFORMANCE



NOTE: Performance based on the following: elastomeric fitted pump, flooded suction, water at ambient conditions. The use of other materials and varying hydraulic conditions may result in deviations in excess of 5%.

SPECIFICATIONS

Flow Rate

Adjustable to . . . 0-72 gpm (272 lpm)

Port Size

Suction 1 1/2" ANSI

Discharge 1 1/2" ANSI

Air Inlet 1/2" NPT

Air Exhaust 3/4" NPT

Suction Lift

Dry 15' (4.5 m)

Wet 25' (7.6 m)

Max Solid Size (Diameter)

. 3/16" (4.76 mm)

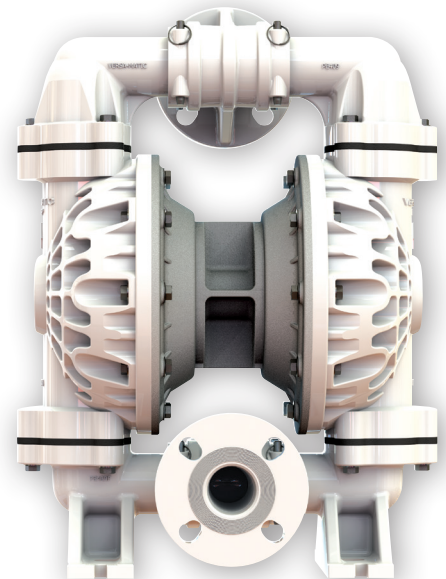
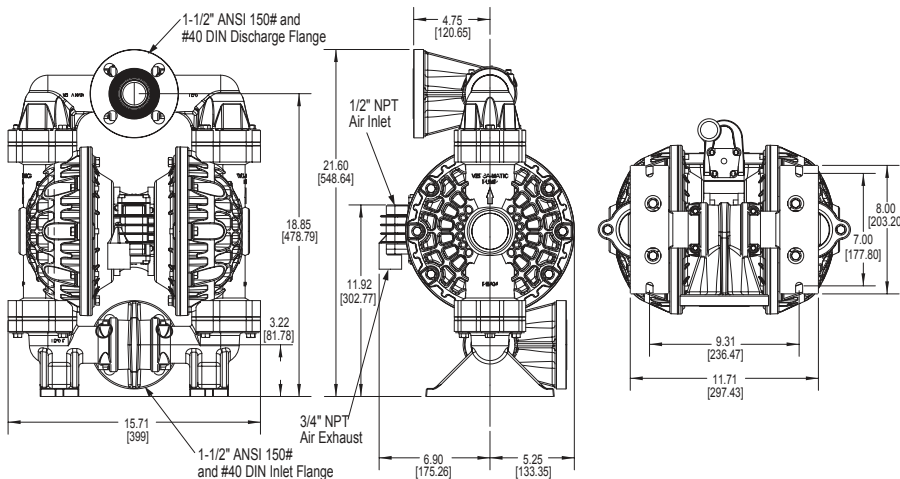
Max Noise Level 89 dB(A)

Shipping Weights

Polypropylene 55 lbs (25 kg)

Kynar 55 lbs (25 kg)

DIMENSIONS



VERSAMATIC®

Warren Rupp, Inc. | A Unit of IDEX Corporation
 800 North Main Street | Mansfield, OH 44902 USA
 Phone: 419.526.7296 | Fax: 419.526.7289

VERSAMATIC.COM

e4nmdlAds-rev1019

©Copyright 2019 Warren Rupp, Inc. All Rights Reserved.