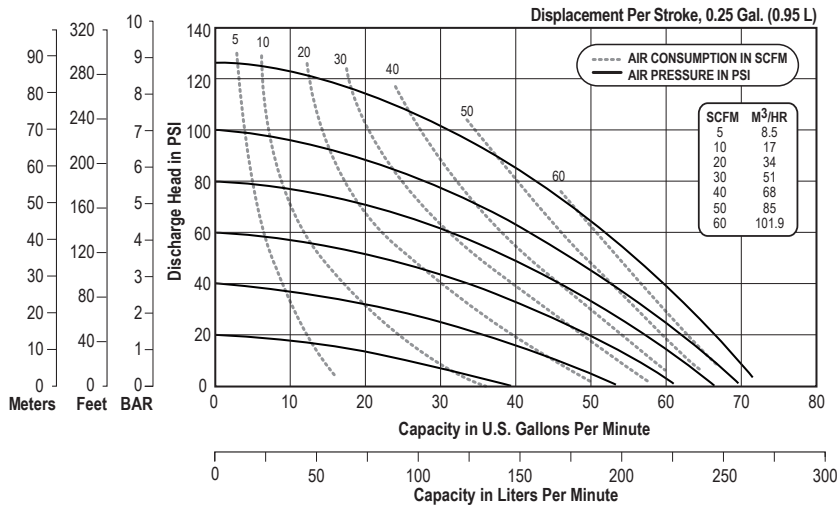


# E4 DATA SHEET

## SPECIFICATIONS & PERFORMANCE

# 1 1/2" Clamped Metal with Metal Center Section

### PERFORMANCE



NOTE: Performance based on the following: elastomeric fitted pump, flooded suction, water at ambient conditions. The use of other materials and varying hydraulic conditions may result in deviations in excess of 5%.

### SPECIFICATIONS

#### Flow Rate

Adjustable to . . . 0-71 gpm (268 lpm)

#### Port Size

Suction . . . . . 1 1/2" NPT

Discharge . . . . . 1 1/4" NPT

Air Inlet . . . . . 1/2" NPT

Air Exhaust . . . . . 3/4" NPT

#### Suction Lift

Dry . . . . . 19' (5.8 m)

Wet . . . . . 31' (9.4 m)

#### Max Solid Size (Diameter)

. . . . . 3/16" (4.76 mm)

Max Noise Level . . . . . 101 dB(A)

#### Shipping Weights

Aluminum . . . . . 55 lbs (25 kg)

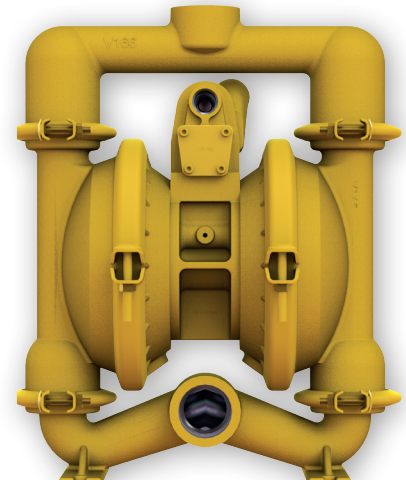
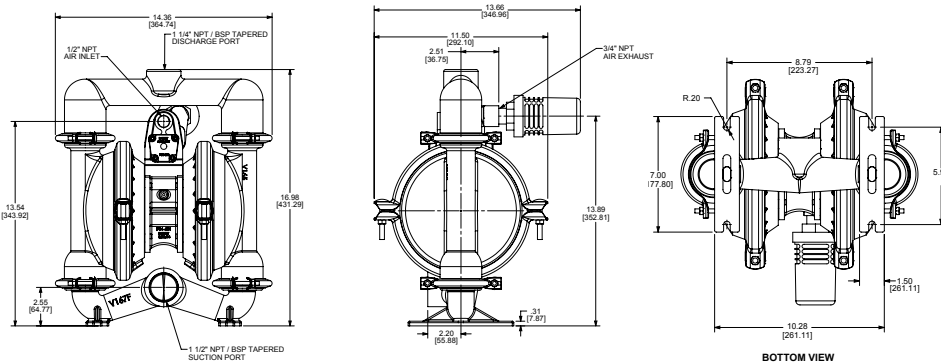
Cast Iron . . . . . 95 lbs (43 kg)

Stainless Steel . . . . . 92 lbs (42 kg)

### E4 Clamped Metal - Aluminum

Dimensions in inches (metric dimensions in brackets)

The dimensions on this drawing are for reference only. A certified drawing can be requested if physical dimensions are needed.



# VERSAMATIC®

Warren Rupp, Inc. | A Unit of IDEX Corporation  
800 North Main Street | Mansfield, OH 44902 USA  
Phone: 419.526.7296 | Fax: 419.526.7289

[VERSAMATIC.COM](http://VERSAMATIC.COM)

e4mdlAdsC-rev0519

©Copyright 2019 Warren Rupp, Inc. All Rights Reserved.

# E4 DATA SHEET

## SPECIFICATIONS & PERFORMANCE

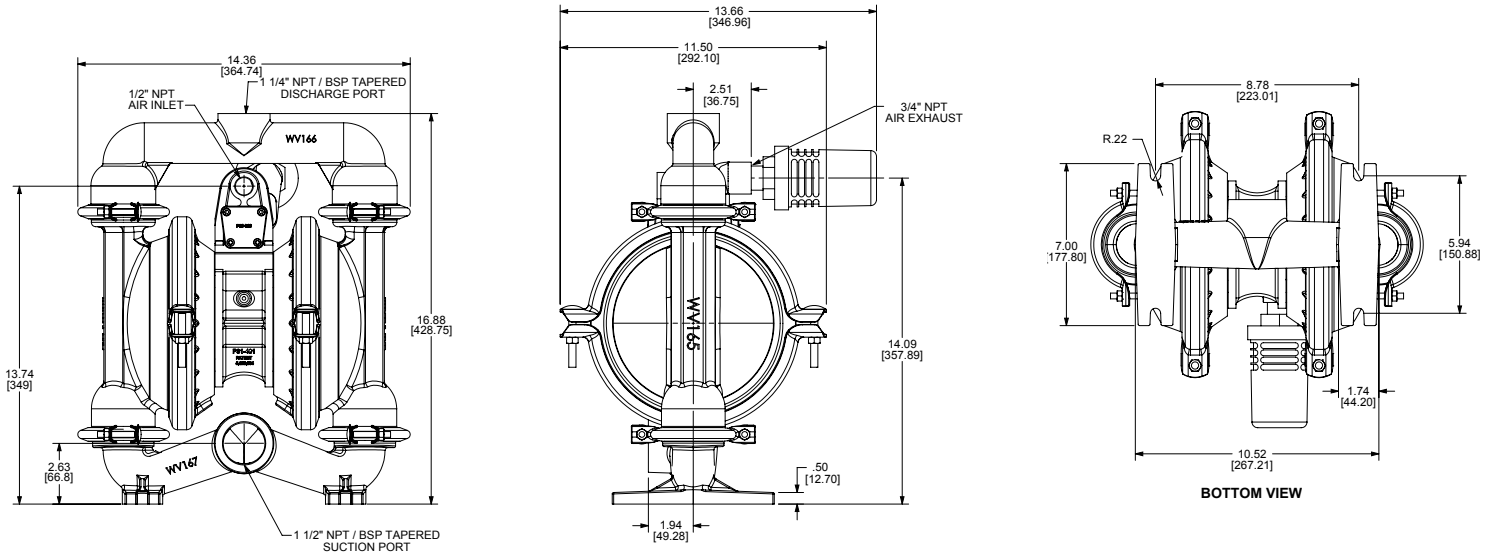
# 1 1/2" Clamped Metal with Metal Center Section

### DIMENSIONS

#### E4 Clamped Metal - Cast Iron

Dimensions in inches (metric dimensions in brackets)

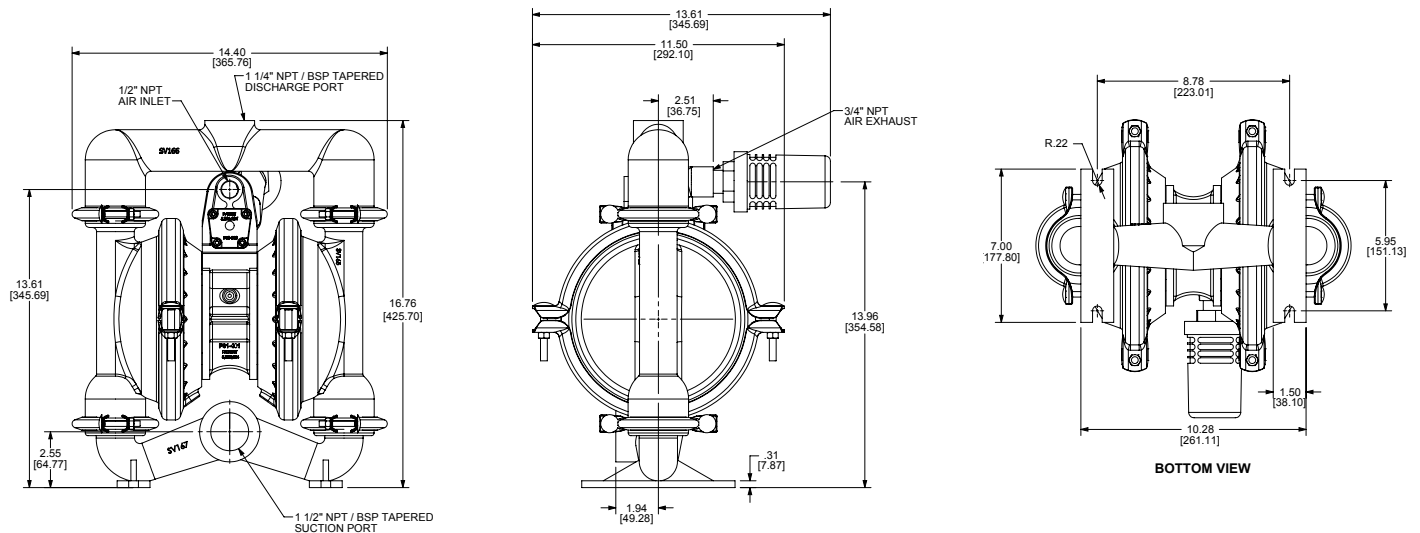
The dimensions on this drawing are for reference only. A certified drawing can be requested if physical dimensions are needed.



#### E4 Clamped Metal - Stainless Steel

Dimensions in inches (metric dimensions in brackets)

The dimensions on this drawing are for reference only. A certified drawing can be requested if physical dimensions are needed.



# VERSAMATIC®

Warren Rupp, Inc. | A Unit of IDEX Corporation  
800 North Main Street | Mansfield, OH 44902 USA  
Phone: 419.526.7296 | Fax: 419.526.7289

[VERSAMATIC.COM](http://VERSAMATIC.COM)

e4mdlAdsC-rev0519

©Copyright 2019 Warren Rupp, Inc. All Rights Reserved.