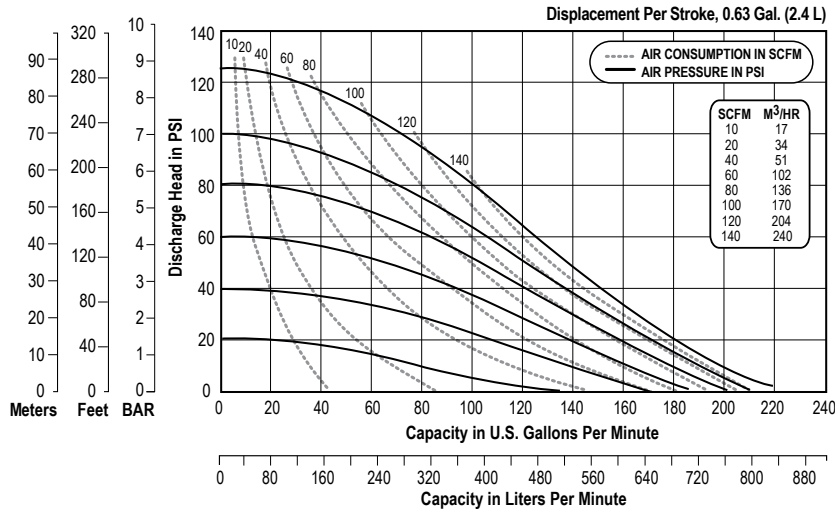


E2 DATA SHEET

SPECIFICATIONS & PERFORMANCE

2" Elima-Matic Flap Valve – ATEX with Metallic Center Section

PERFORMANCE



NOTE: Performance based on the following: elastomeric fitted pump, flooded suction, water at ambient conditions. The use of other materials and varying hydraulic conditions may result in deviations in excess of 5%.

SPECIFICATIONS

Flow Rate

Adjustable to . . . 0-219 gpm (829 lpm)

Port Size

Suction 2" NPT

Discharge 2" NPT

Air Inlet 1/2" NPT

Air Exhaust 1" NPT

Suction Lift

Dry 11' (3.4 m)

Wet 26' (7.9 m)

Max Solid Size (Diameter)

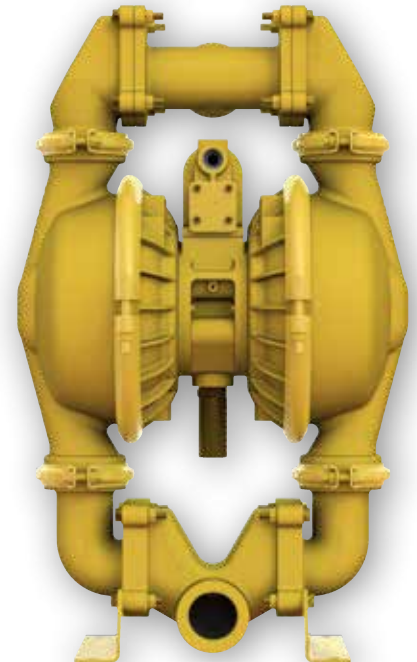
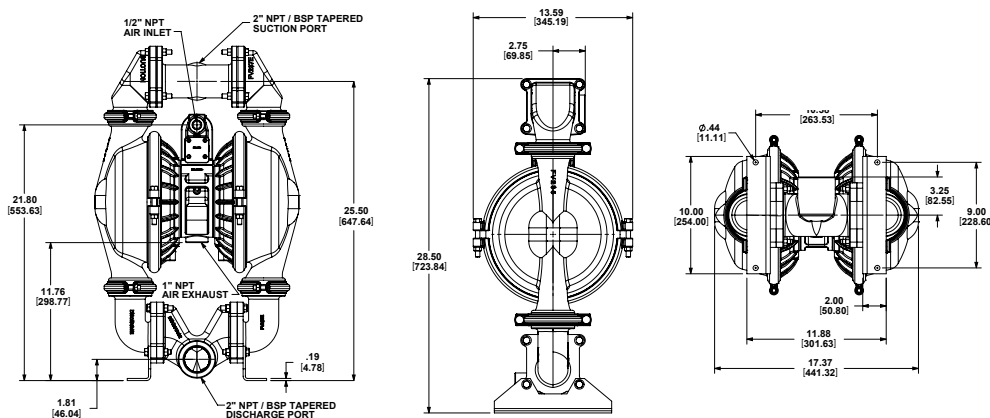
. 1 1/8" (28.6 mm)

Max Noise Level 95 dB(A)

Shipping Weights

Aluminum 84 lbs (38.1 kg)

DIMENSIONS



VERSAMATIC®

Warren Rupp, Inc. | A Unit of IDEX Corporation
800 North Main Street | Mansfield, OH 44902 USA
Phone: 419.526.7296 | Fax: 419.526.7289

VERSAMATIC.COM

e2mdlCdsATEXFV-rev0519

©Copyright 2019 Warren Rupp, Inc. All Rights Reserved.