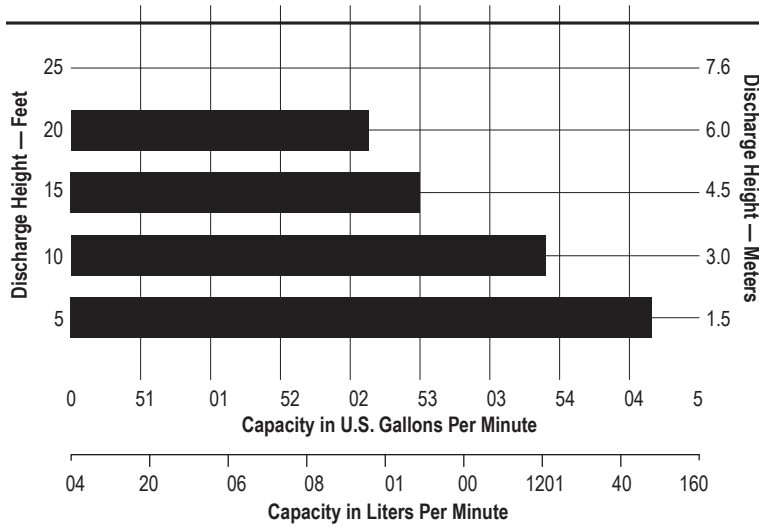


# PM DATA SHEET

## SPECIFICATIONS & PERFORMANCE

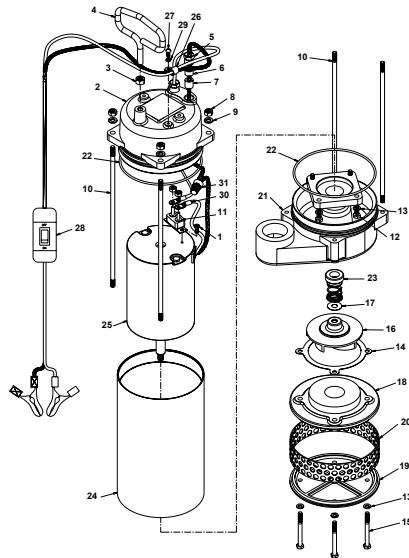
# Porta-Matic™ Battery-Powered Portable Pump

### PERFORMANCE



NOTE: Performance based on the following: elastomeric fitted pump, flooded suction, water at ambient conditions. The use of other materials and varying hydraulic conditions may result in deviations in excess of 5%.

### DIMENSIONS



### SPECIFICATIONS

#### Flow Rate

Adjustable to . . . . .43 gpm (163 lpm)

#### Max Head Pressure

. . . . .25' (7.6m)

#### Fluid Outlet

. . . . . 1.5" NPT or BSPT (female)

#### Weight

. . . . . 33lbs (14.37kg)



# VERSAMATIC®

Warren Rupp, Inc. | A Unit of IDEX Corporation  
 800 North Main Street | Mansfield, OH 44902 USA  
 Phone: 419.526.7296 | Fax: 419.526.7289

[VERSAMATIC.COM](http://VERSAMATIC.COM)

PortaMatic-rev0519

©Copyright 2019 Warren Rupp, Inc. All Rights Reserved.