

High Pressure Pumps

**VERSA-MATIC
PUMP**



Standard Flow Pumps



Full Flow Pumps



Accessories

*Filter Press Feed
Mine Dewatering
Slurry Transfer
High-Pressure Discharge*



When the pressure is on, turn to our high-pressure pumps

When you're pumping in a pressurized situation, you need more power than a standard air-operated double diaphragm pump can deliver. That's where the Versa-Matic line of high-pressure pumps takes over. Providing pressures of 200 PSI or greater, our pumps can tackle any application, including filter press feeds, mine dewatering, slurry transfer and high-pressure discharge.

The Right Pump for the Right Flow

N25	30 (125)
E2HP	69 (264)
N50	90 (341)

Maximum Flow in Gallons Per Minute (lpm)

We've assembled the most complete line of high-pressure pumps in the industry, featuring pumps by Versa-Matic, America's leader in innovation, and Blagdon, the number-one manufacturer in Europe. Together, they provide you more options in terms of size, pressure, flow rates, materials of construction and functionality.

No matter which pump fits your need, you'll enjoy an unsurpassed level of reliability.

Our pumps feature innovative air-valve systems that eliminate stalling, icing, and blow-by and help extend the life of your pump.



VM E2HP 2" Standard Flow High Pressure Pumps



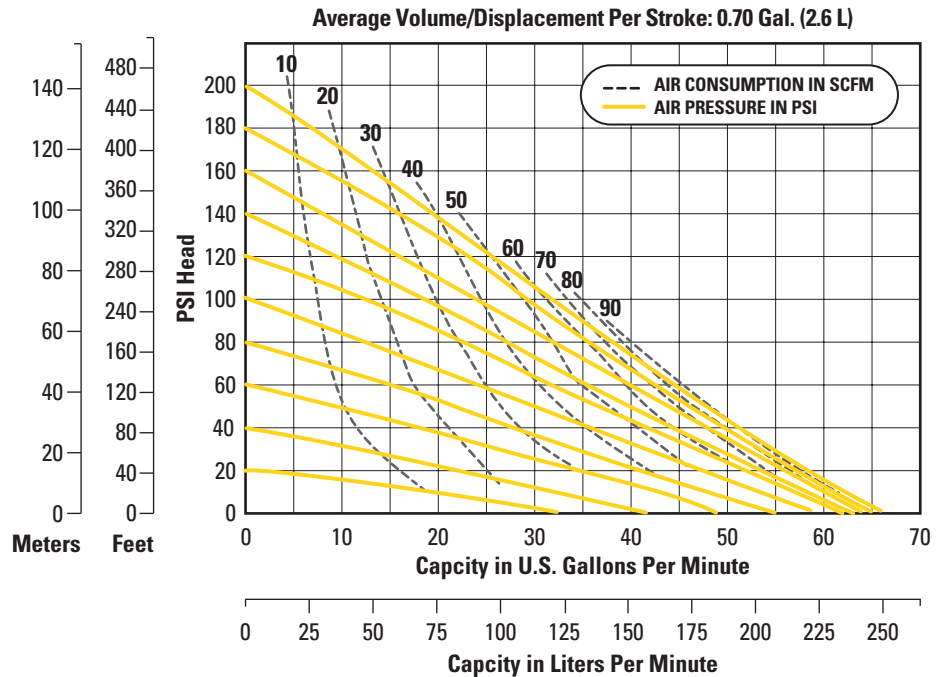
Versa-Matic 2" high-pressure pumps provide reliable performance in applications where pressure is a concern. The E2HP delivers up to 200 pounds per square inch of pressure with standard flow at a rate of up to 69 gallons per minute.

The E2HP features the Elima-Matic Air Valve System for non-stalling, non-icing and lube-free operation.

Constructed of stainless steel, E2HP pump parts are interchangeable with standard Versa-Matic stainless steel pumps.

PERFORMANCE

E2HP



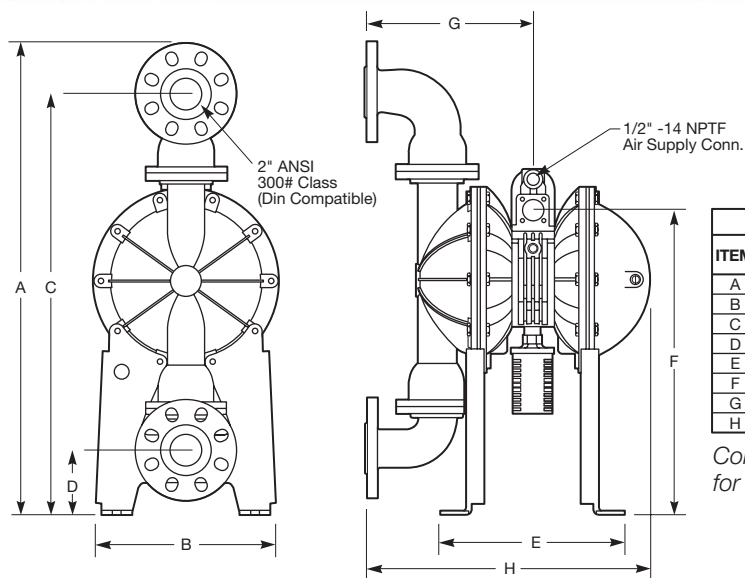
SPECIFICATIONS

E2HP

	English	Metric
Flow rate		
adjustable to	0-69 gpm	0-264 lpm
Port size	2" ANSI, 300# class flanges	
Inlet and Outlet	(DIN compatible)	
Air inlet	0.5" NPTF	
Air exhaust	1.0" NPTF	
Suction lift*		
Dry	20'	6.09 m
Wet	25'	7.62 m
Max. particle size		
(Dia.)	0.25"	6.35 mm
Shipping weight		
Stainless Steel	91 lbs	41 kg

DIMENSIONS

E2HP



E2HP DIMENSIONS		
ITEM	INCHES	METRIC MM
A	30.6	778
B	11.7	297
C	23.1	587
D	4.3	109
E	11.8	299
F	19.7	501
G	10.7	272
H	18.2	463

Consult factory for certified drawings

BL N25 1" Full Flow High Pressure Pumps



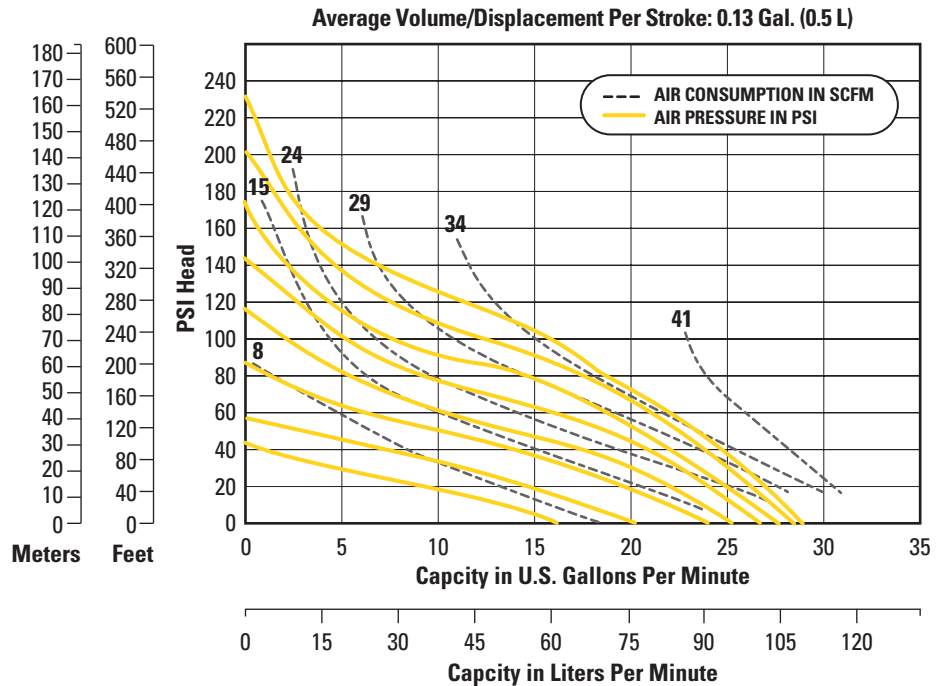
Blagdon 1" high-pressure pumps provide enhanced power in applications where pressure is paramount and flow rate is an issue. Using two air chambers to double the air per stroke, the N25 achieves discharge pressure up to 238 pounds per square inch with flow rates as high as 30 gallons per minute.

The N25's full flow design incorporates an additional air chamber to deliver higher flow rates with less pulsation, so there's less wear on pipes and fittings. In addition, the pump can start at zero head pressure with no damage to diaphragms and no need for a separate fill pump.

The N25 is available in either aluminum or stainless steel. It features a non-stalling, non-icing air valve system with shoe-valve technology to eliminate blow-by.

PERFORMANCE

N25



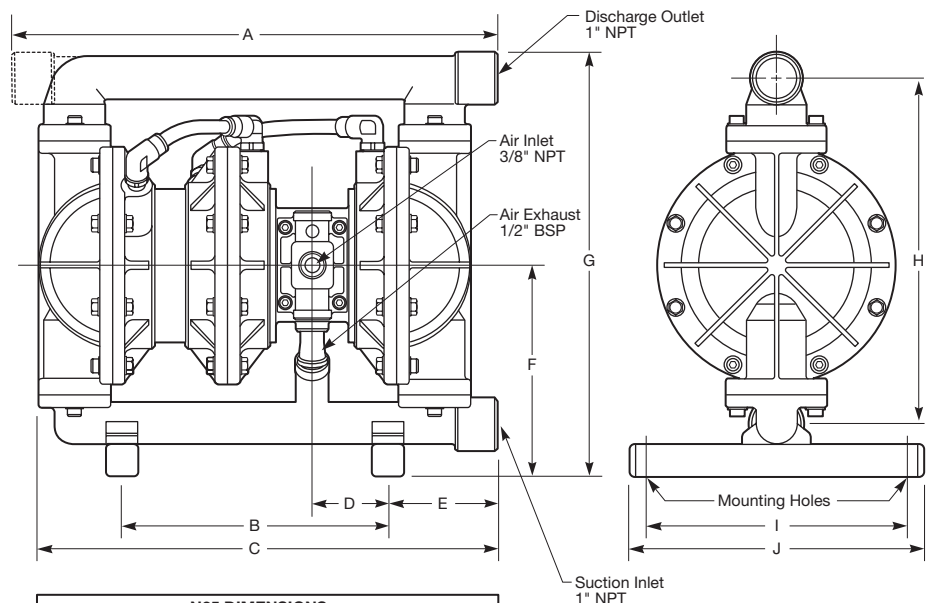
DIMENSIONS

N25

SPECIFICATIONS

N25

	English	Metric
Flow rate		
adjustable to	0-30 gpm	0-125 lpm
Port size		
Inlet and Outlet	1" NPTF	
Air inlet	0.50" NPTF	
Air exhaust	.375" BSP	
Suction lift		
Dry	20'	6.0 m
Wet	25'	7.6 m
Max. particle size		
(Dia.)	0.125"	3 mm
Shipping weight		
Aluminum	88 lbs	40 kg
Stainless Steel	110 lbs	50 kg



N25 DIMENSIONS					
ITEM	INCHES	METRIC MM	ITEM	INCHES	METRIC MM
A	18.27	464	F	7.95	202
B	10.04	255	G	15.94	405
C	17.24	438	H	12.99	330
D	2.87	73	I	9.84	250
E	4.13	105	J	11.02	280

Consult factory for certified drawings

BL N50 2" Full Flow High Pressure Pumps



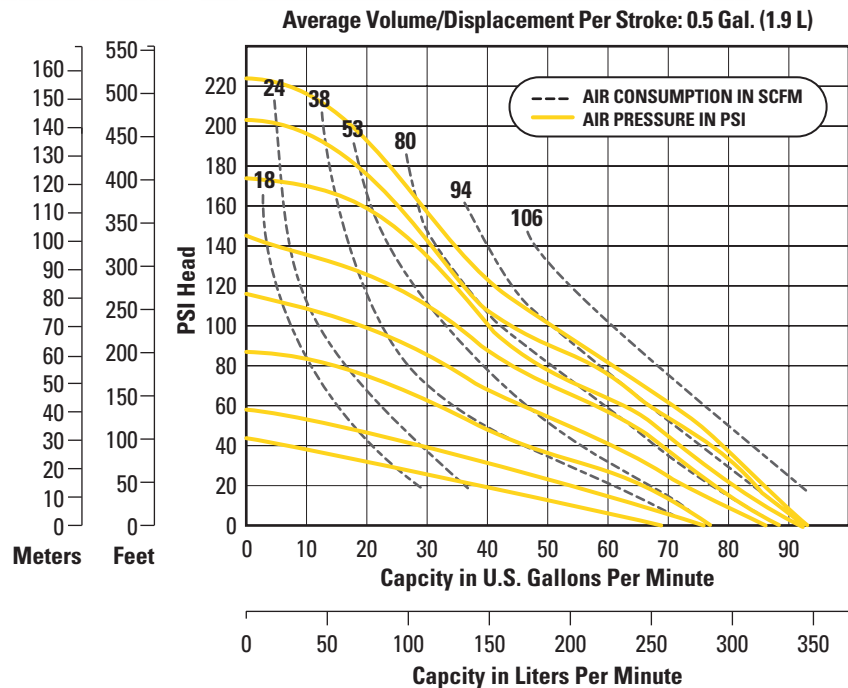
Blagdon 2" high-pressure pumps provide enhanced power in applications where pressure is paramount and flow rate is an issue. Using two air chambers to double the air per stroke, the N50 achieves discharge pressure up to 238 pounds per square inch with flow rates as high as 90 gallons per minute.

The N50's full flow design incorporates an additional air chamber to deliver higher flow rates with less pulsation, so there's less wear on pipes and fittings. In addition, the pump can start at zero head pressure with no damage to diaphragms and no need for a separate fill pump.

The N50 is available in either aluminum or stainless steel. It features a non-stalling, non-icing air valve system with shoe-valve technology to eliminate blow-by.

PERFORMANCE

N50



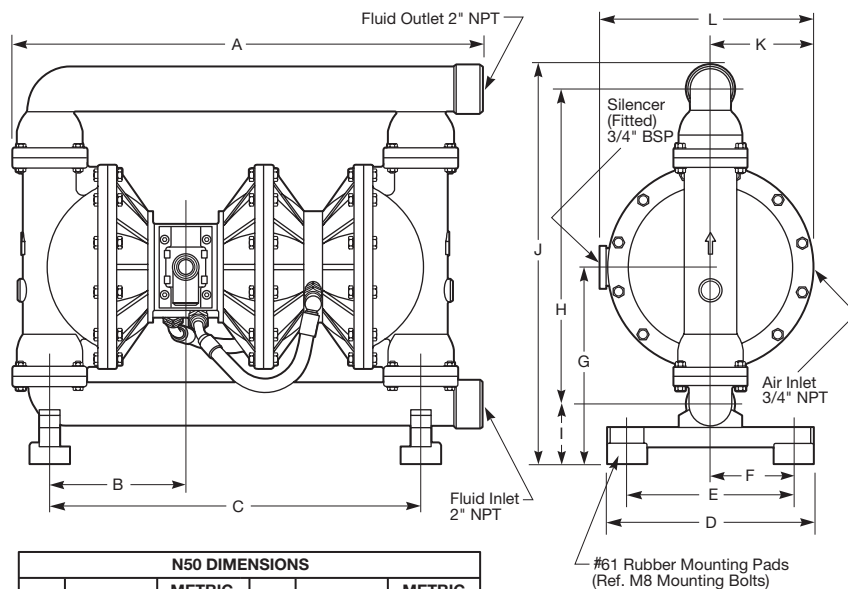
SPECIFICATIONS

N50

	English	Metric
Flow Rate		
adjustable to	0-90 gpm	0-341 lpm
Port size		
Inlet and Outlet	2" NPTF	
Air inlet	0.75" NPTF	
Air exhaust	.75" BSP	
Suction lift		
Dry	20'	6.0 m
Wet	25'	7.6 m
Max. particle size		
(Dia.)	0.25"	6 mm
Shipping weight		
Aluminum	147 lbs	66.5 kg
Stainless Steel	165 lbs	75.0 kg

DIMENSIONS

N50



N50 DIMENSIONS					
ITEM	INCHES	METRIC MM	ITEM	INCHES	METRIC MM
A	28.70	729	G	12.05	306
B	8.35	212	H	19.29	490
C	22.72	577	I	3.66	93
D	12.60	320	J	24.41	620
E	10.24	260	K	6.30	160
F	5.12	130	L	13.07	332

Consult factory for certified drawings

Accessories High Pressure Pumps



Surge Suppressors

Eliminate pulsation in standard discharge flow, for steadier pressure and less system vibration and noise. Surge suppressors are self-charging and self-venting.



Anti-Shock Valves

Protect your pumps, pipes and diaphragms from damage during start-ups. Our Smart Start Anti-shock valves enable compressed air to gradually increase to the desired pressure over a time period of up to 30 seconds.



Filter/Regulator

Optimize pump performance and reduce maintenance costs. Filters particles and water out of the compressed air inlet, and controls air pressure. Filter and regulator available as sets or individually.



For more information on Versa-Matic and Blagdon high-pressure pumps and accessories, contact your local distributor or visit www.versamatic.com and www.blagdonpump.com.


VERSA-MATIC® PUMP COMPANY
A Unit of IDEX Corporation
6017 Enterprise Drive
Export, PA 15632-8969
(724) 327-7867
Fax: (724) 327-4300
www.versamatic.com



©2003 IDEX Corporation



VM-0503-1