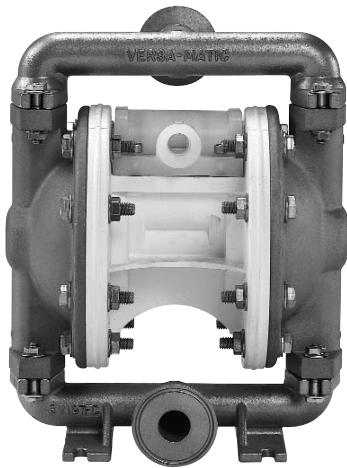


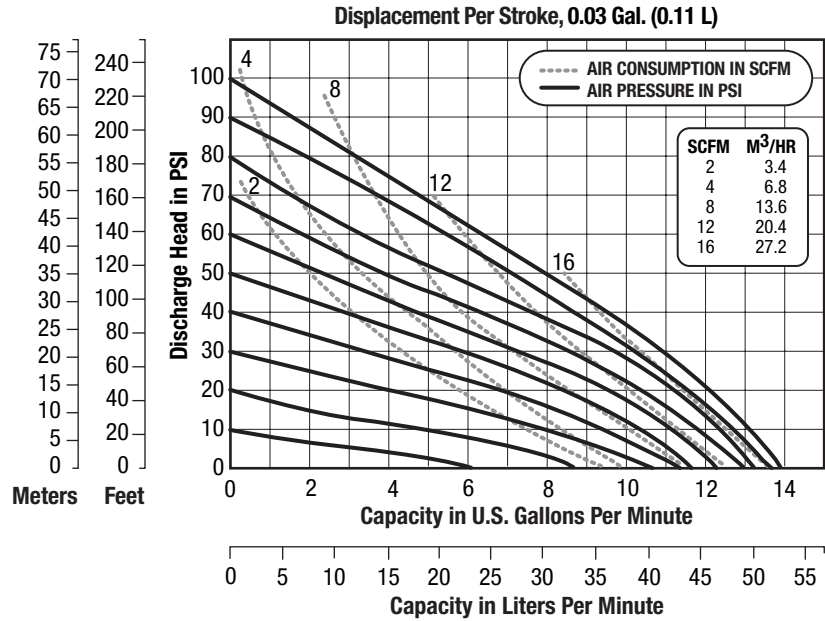
E5 1/2" Food Processing Pump Specifications and Performance

SPECIFICATIONS E5FDA

FLOW RATE (Adjustable) 0-14 gpm (53 lpm)
PORT SIZE
 Inlet and Outlet 1" Tri-Clamp
AIR INLET 0.375" NPT
AIR EXHAUST 0.375" NPT
SUCTION LIFT.. 15' Dry/25' Wet (6.096m/7.62m)
 Teflon®..... 5' Dry/10' Wet (1.52m/3.048m)
MAX. PARTICLE SIZE (Dia.) 0.0625" (1.6mm)
SHIPPING WEIGHT
 Stainless Steel 18 lbs (8.17 kg)



PERFORMANCE Determined by actual flow meter tests. E5FDA



NOTE: For E5 pumps fitted with Teflon® diaphragms, reduce water discharge figures by 20%. Suction lift is reduced to 10' (3.05m) dry and 20' (6.10m) wet.

CAUTION: Do not exceed 100 psig (6.9 bars) air supply or liquid pressure.

DIMENSIONS Consult factory for certified drawings. E5FDA

