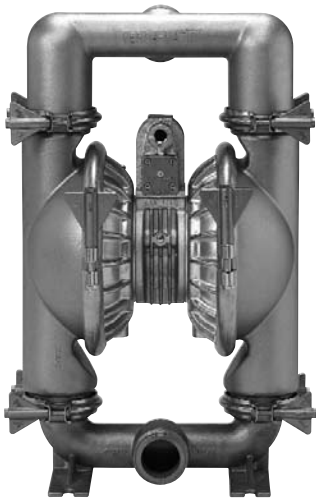


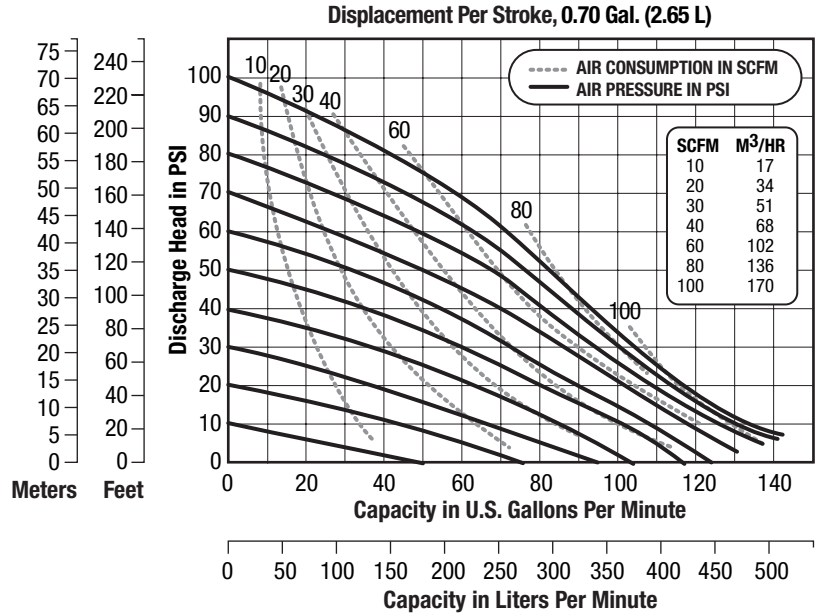
# E2 2" Food Processing Pump Specifications and Performance

## SPECIFICATIONS E2FDA

**FLOW RATE** (Adjustable) .... 0-155 gpm (586 lpm)  
**PORT SIZE**  
 Inlet and Outlet ..... 2.5" Tri-Clamp  
**AIR INLET** ..... 0.50" NPT  
**AIR EXHAUST** ..... 0.75" NPT  
**SUCTION LIFT** .... 20' Dry/25' Wet (6.10m/7.62m)  
 Teflon® ..... 10' Dry/20' Wet (3.05m/6.10m)  
**MAX. PARTICLE SIZE** (Dia.) ..... 0.25" (6.35mm)  
**SHIPPING WEIGHT**  
 Stainless Steel ..... 115 lbs (52.16 kg)



## PERFORMANCE Determined by actual flow meter tests. E2FDA



**NOTE:** For E2 pumps fitted with Teflon® diaphragms, reduce water discharge figures by 20%. Suction lift is reduced to 10' (3.05m) dry and 20' (6.10m) wet.

**CAUTION:** Do not exceed 125 psig (8.5 bars) air supply or liquid pressure.

## DIMENSIONS Consult factory for certified drawings. E2FDA

