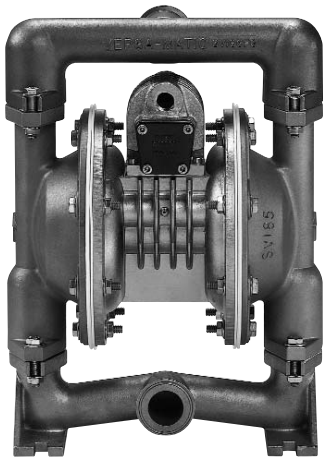


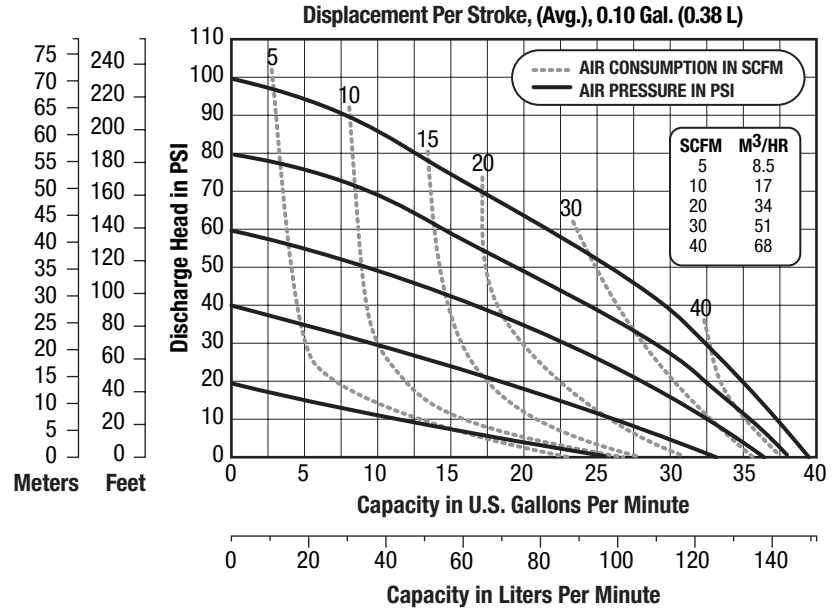
# E1 1" Food Processing Pump Specifications and Performance

## SPECIFICATIONS E1FDA

**FLOW RATE** (Adjustable)..... gpm (132 lpm)  
**PORT SIZE**  
 Inlet & Outlet..... 1.5" Tri-Clamp  
**AIR INLET**..... 0.375" NPT  
**AIR EXHAUST**..... 0.50" NPT  
**SUCTION LIFT**.... 15' Dry/25' Wet (4.57m/7.62m)  
 Teflon®..... 10' Dry/20' Wet (3.05m/6.10m)  
**MAX. PARTICLE SIZE** (Dia.) .....0.125"(3.17mm)  
**SHIPPING WEIGHT**  
 Stainless Steel ..... 42 lbs (19.05 kg)



## PERFORMANCE Determined by actual flow meter tests. E1FDA



**NOTE:** For E1 pumps fitted with Teflon® diaphragms, reduce water discharge figures by 20%. Suction lift is reduced to 10' (3.05m) dry and 20' (6.10m) wet.

**CAUTION:** Do not exceed 125 psig (8.5 bars) air supply or liquid pressure.

## DIMENSIONS Consult factory for certified drawings. E1FDA

