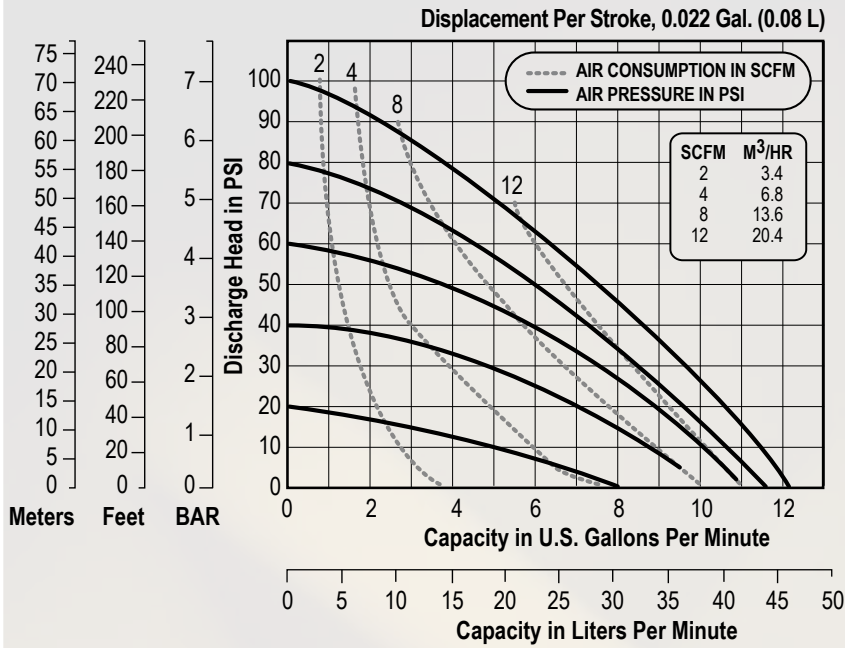


3/4" Elima-Matic Bolted Metal

with Metallic and Non-Metallic Center Sections

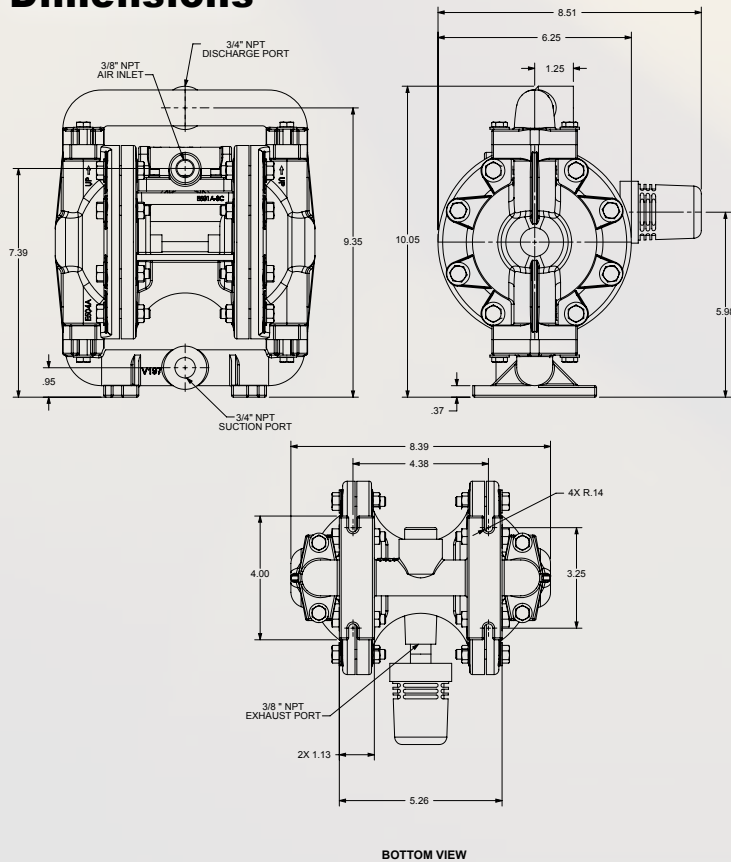
E7

Performance



NOTE: Performance based on the following: elastomeric fitted pump, flooded suction, water at ambient conditions. The use of other materials and varying hydraulic conditions may result in deviations in excess of 5%.

Dimensions



Specifications

Flow Rate

Adjustable to 0-12 gpm (45.4 lpm)

Port Size

Suction 3/4" NPT

Discharge 3/4" NPT

Air Inlet 3/8" NPT

Air Exhaust 3/8" NPT

Suction Lift

Dry 13' (3.9 m)

Wet 22' (6.7 m)

Max Solid Size (Diameter)

. 1/16" (1.6 mm)

Max Noise Level 84 dB(A)

Shipping Weights

Aluminum 11 lbs (3.9 kg)

