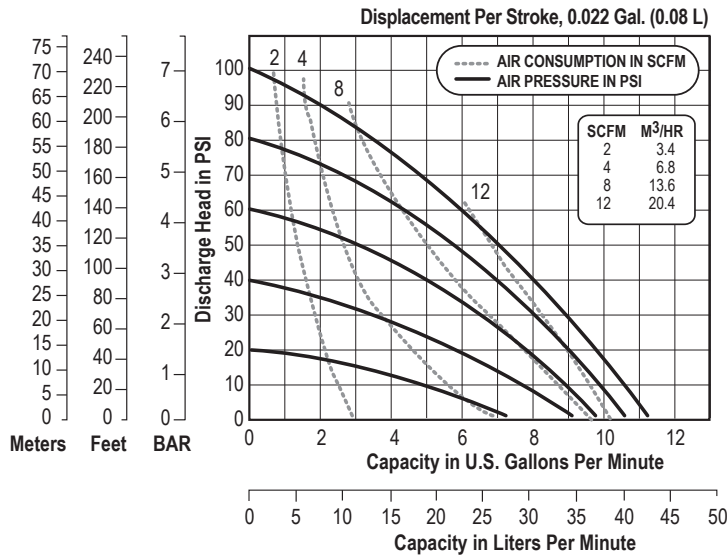


# E5 DATA SHEET

## SPECIFICATIONS & PERFORMANCE

# 1/2" Bolted Plastic with Metal and Plastic Center Sections

### PERFORMANCE



NOTE: Performance based on the following: elastomeric fitted pump, flooded suction, water at ambient conditions. The use of other materials and varying hydraulic conditions may result in deviations in excess of 5%.

### SPECIFICATIONS

#### Flow Rate

Adjustable to . . . . .0-11 gpm (53 lpm)

#### Port Size

Suction . . . . . 1/2" NPT

Discharge . . . . . 1/2" NPT

**Air Inlet** . . . . . 3/8" NPT

**Air Exhaust** . . . . . 3/8" NPT

#### Suction Lift

Dry . . . . . 12' (3.6 m)

Wet . . . . . 30' (9.1 m)

#### Max Solid Size (Diameter)

. . . . . 1/16" (1.6 mm)

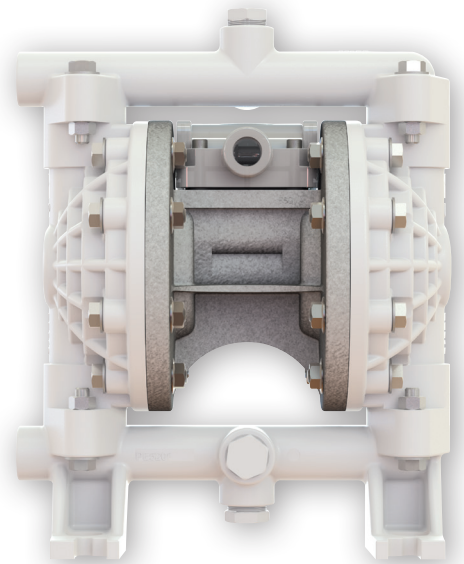
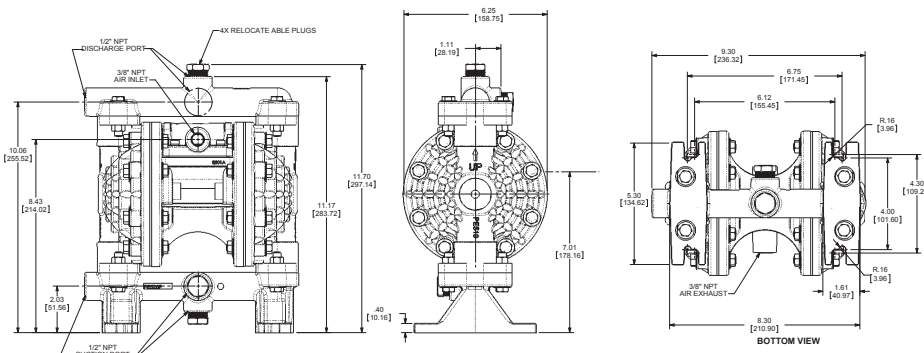
**Max Noise Level** . . . . . 86 dB(A)

#### Shipping Weights

Polypropylene . . . . . 8.5 lbs (3.9 kg)

PVDF . . . . . 12 lbs (5.4 kg)

### DIMENSIONS



# VERSAMATIC®

Warren Rupp, Inc. | A Unit of IDEX Corporation  
800 North Main Street | Mansfield, OH 44902 USA  
Phone: 419.526.7296 | Fax: 419.526.7289

[VERSAMATIC.COM](http://VERSAMATIC.COM)

e5nmdICds-rev0519

©Copyright 2019 Warren Rupp, Inc. All Rights Reserved.