

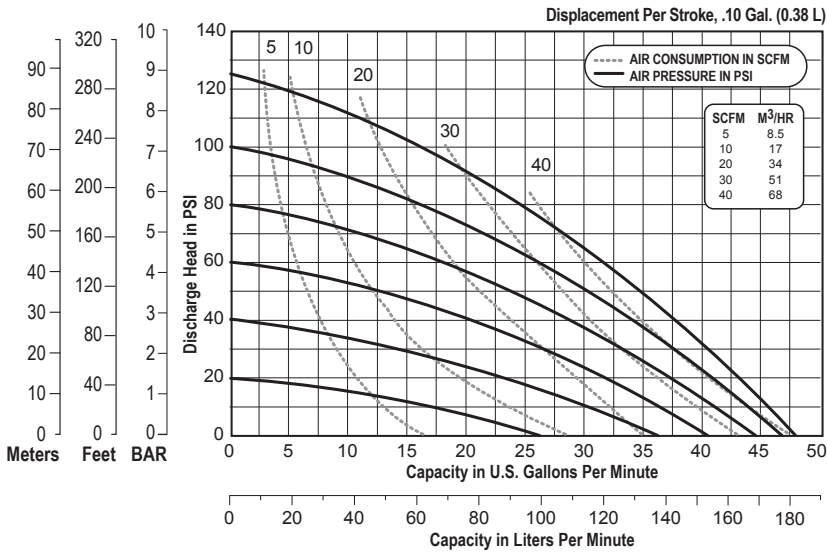
E1 DATA SHEET

SPECIFICATIONS & PERFORMANCE

1" Bolted Metal – ATEX

with Metal Center Section

PERFORMANCE



NOTE: Performance based on the following: elastomeric fitted pump, flooded suction, water at ambient conditions. The use of other materials and varying hydraulic conditions may result in deviations in excess of 5%.

SPECIFICATIONS

Flow Rate

Adjustable to . 0-49 gpm (181.7 lpm)

Port Size

Suction 1" NPT

Discharge 1" NPT

Air Inlet 3/8" NPT

Air Exhaust 1/2" NPT

Suction Lift

Dry 15' (4.6 m)

Wet 31' (9.4 m)

Max Solid Size (Diameter)

. 1/8" (3.2 mm)

Max Noise Level 91 dB(A)

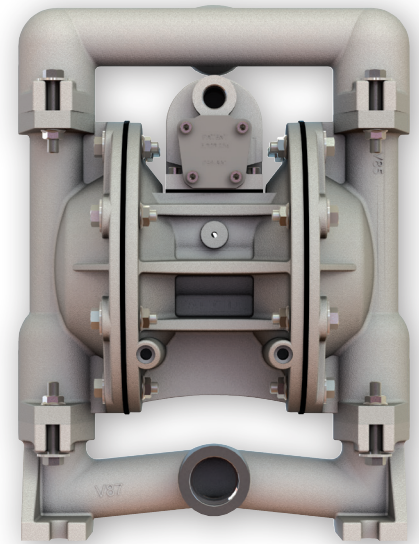
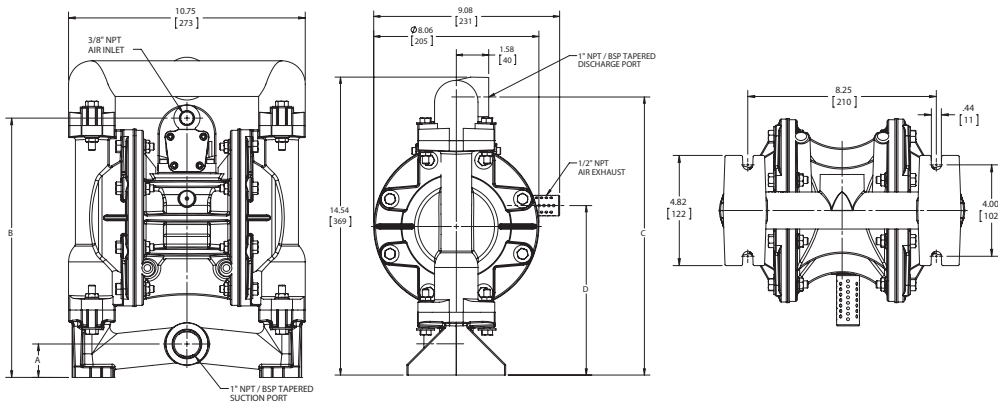
Shipping Weights

Aluminum 27 lbs (5 kg)

Stainless Steel 40 lbs (7.7 kg)

Alloy-C 40 lbs (7.7 kg)

DIMENSIONS



VERSAMATIC®

Warren Rupp, Inc. | A Unit of IDEX Corporation
 800 North Main Street | Mansfield, OH 44902 USA
 Phone: 419.526.7296 | Fax: 419.526.7289

VERSAMATIC.COM

e1mdlCdsATEX-rev0519

©Copyright 2019 Warren Rupp, Inc. All Rights Reserved.