

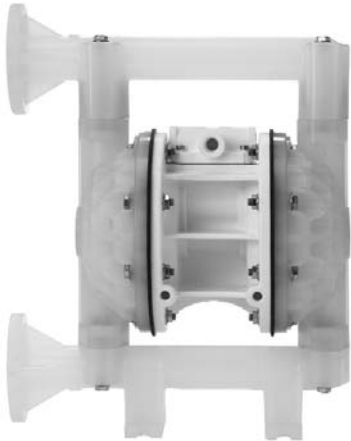
# E1 1" Plastic Bolted Pumps: Standard Porting Specifications and Performance

## SPECIFICATIONS

E1

**FLOW RATE** (Adjustable) ..... 0-35 gpm (132 lpm)  
**PORT SIZE**  
 Inlet and Outlet..... 1.0" ANSI/DIN Flanged  
**AIR INLET** ..... 0.375" NPT  
**AIR EXHAUST** ..... 0.50" NPT  
**SUCTION LIFT** ....15' Dry/25' Wet (4.57m/7.62m)  
 Teflon®..... 10' Dry/20' Wet (3.05m/6.10m)  
**MAX. PARTICLE SIZE** (Dia.) .....0.125"(3.17mm)  
**SHIPPING WEIGHTS**  
 Polypropylene ..... 24 lbs (10.9 kg)  
 Kynar® ..... 24 lbs (10.9 kg)

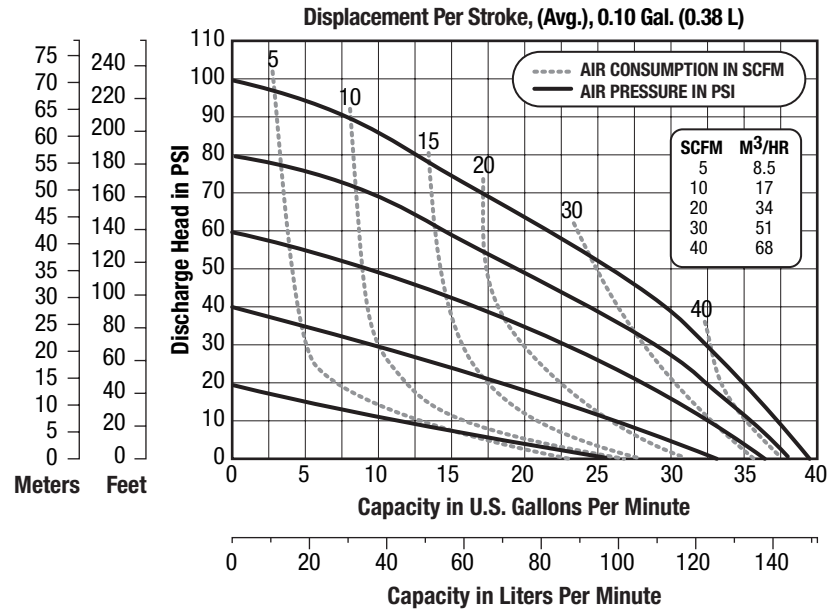
**OPTIONS: Center Port and Split Manifolds Available.**



## PERFORMANCE

Determined by actual flow meter tests.

E1



**NOTE:** For E1 pumps fitted with Teflon® diaphragms, reduce water discharge figures by 20%. Suction lift is reduced to 10' (3.05m) dry and 20' (6.10m) wet.

**CAUTION:** Do not exceed 100 psig (6.9 bars) air supply or liquid pressure.

**CAUTION:** Plastic pumps and components are not UV stabilized. Ultraviolet radiation can damage these parts and negatively affect material properties. Do not expose to UV light for extended periods of time.

## DIMENSIONS

Consult factory for certified drawings.

E1

