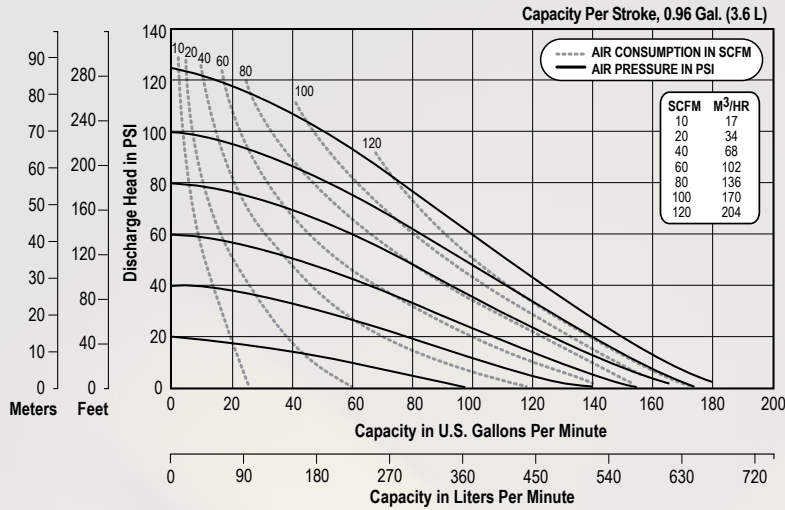


3" V Series Clamped Metallic with Metallic Center Section

V3

Performance



NOTE: Performance based on the following: elastomeric fitted pump, flooded suction, water at ambient conditions. The use of other materials and varying hydraulic conditions may result in deviations in excess of 5%.

Specifications

Flow Rate

Adjustable to 0-180 gpm (681.4 lpm)

Port Size

Suction 3" NPT

Discharge 3" NPT

Air Inlet 1/2" NPT

Air Exhaust 1" NPT

Suction Lift

Dry 13' (5.2 m)

Wet 31' (9.8 m)

Max Solid Size (Diameter)

. 3/8" (9.5 mm)

Max Noise Level 93 dB(A)

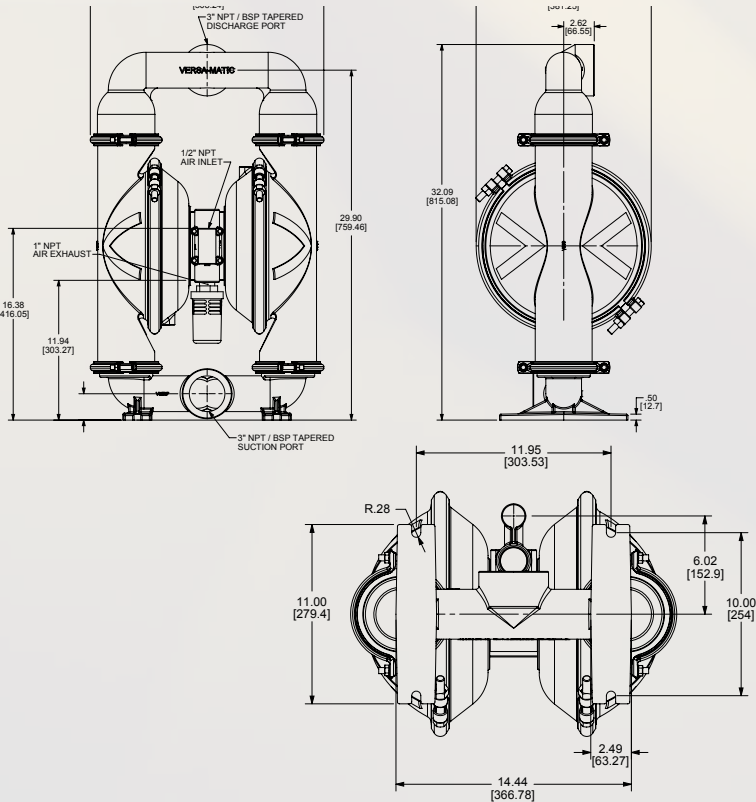
Shipping Weights

Aluminum 115 lbs. (52.21 kg)

Cast Iron 210 lbs. (95.34 kg)

Stainless Steel 210 lbs. (95.34 kg)

Dimensions



Warren Rupp, Inc. • A Unit of IDEX Corporation
800 North Main Street, Mansfield, OH 44902 USA
Phone: 419.526.7296 • Fax: 419.526.7289 • www.versamatic.com

v3mdlAsm-rev0817