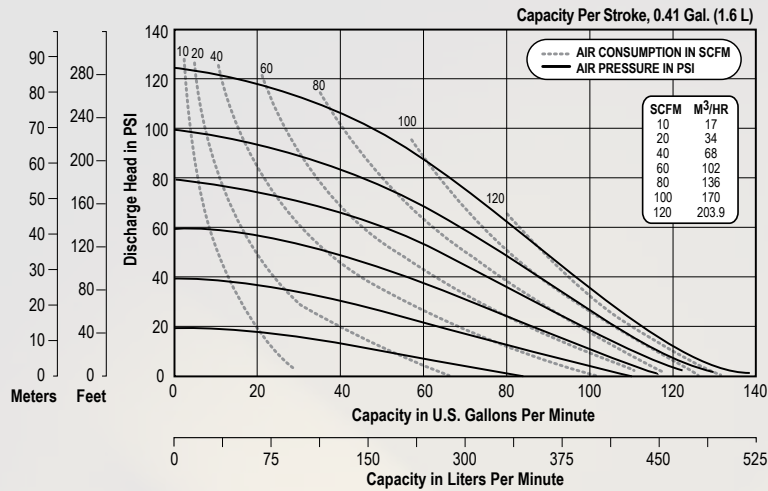


2" V Series Clamped Metallic with Metallic Center Section

V2

Performance



NOTE: Performance based on the following: elastomeric fitted pump, flooded suction, water at ambient conditions. The use of other materials and varying hydraulic conditions may result in deviations in excess of 5%.

Specifications

Flow Rate

Adjustable to 0-138 gpm (552 lpm)

Port Size

Suction 2" NPT
Discharge 2" NPT

Air Inlet 1/2" NPT

Air Exhaust 3/4" NPT

Suction Lift

Dry 10' (3.05 m)
Wet 20' (6.09 m)

Max Solid Size (Diameter)

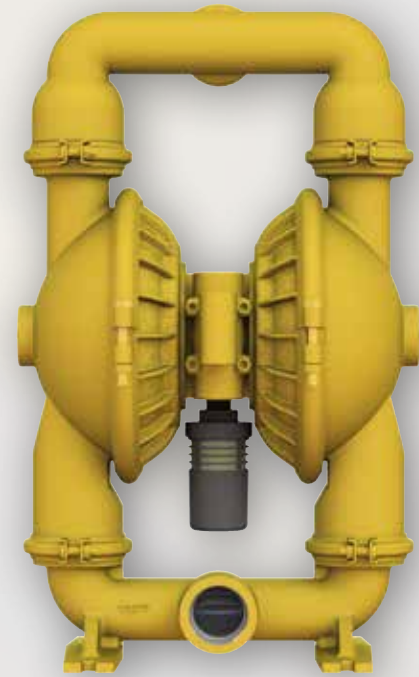
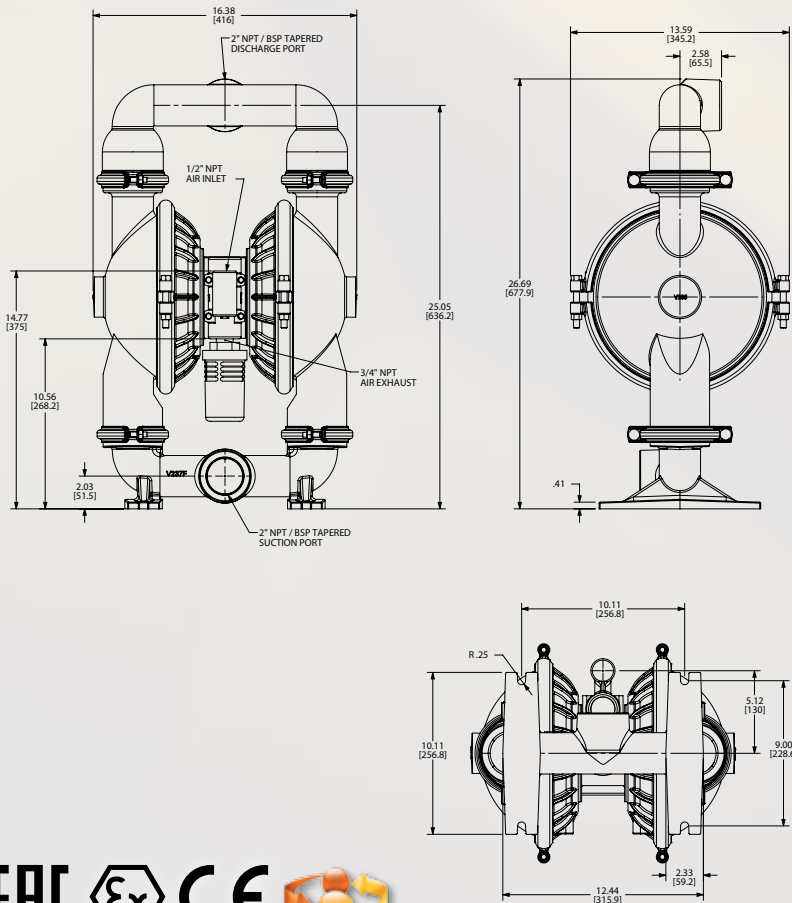
. 1/4" (6.35 mm)

Max Noise Level 100 dB(A)

Shipping Weights

Aluminum 65 lbs (29.5 kg)
Cast Iron 113 lbs (51.3 kg)
Stainless Steel 106 lbs (48.1 kg)

Dimensions



Warren Rupp, Inc. • A Unit of IDEX Corporation
800 North Main Street, Mansfield, OH 44902 USA
Phone: 419.526.7296 • Fax: 419.526.7289 • www.versamatic.com

v2mdlAsm-rev0817