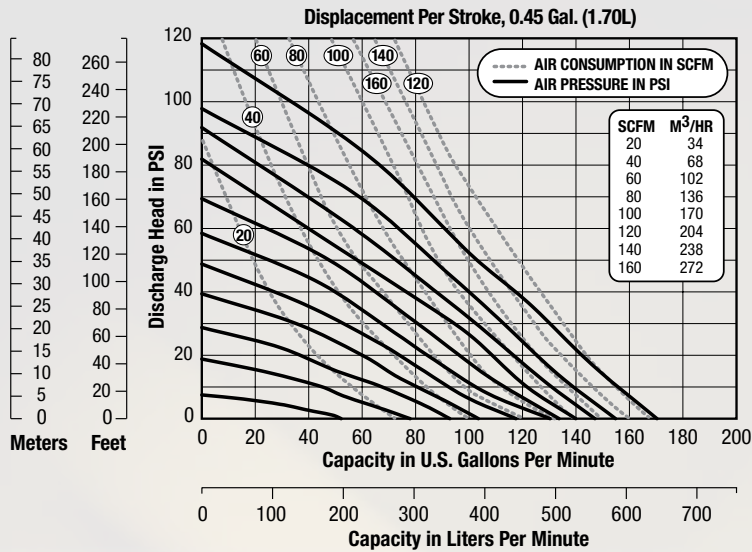


2" Ultra-Matic Bolted with Non-Metallic Center Section

U2

Performance



NOTE: Performance based on the following: elastomeric fitted pump, flooded suction, water at ambient conditions. The use of other materials and varying hydraulic conditions may result in deviations in excess of 5%.

Specifications

Flow Rate

Adjustable to 0-170 gpm (644 lpm)

Port Size

Suction 2" ANSI/DIN #50 Flange

Discharge 2" ANSI/DIN #50 Flange

Air Inlet 1/2" NPT

Air Exhaust 3/4" NPT

Suction Lift (Dry)

Rubber 20' (6.10 m)

PTFE 10' (3.05 m)

Max Solid Size (Diameter)

..... 7/16" (11.1 mm)

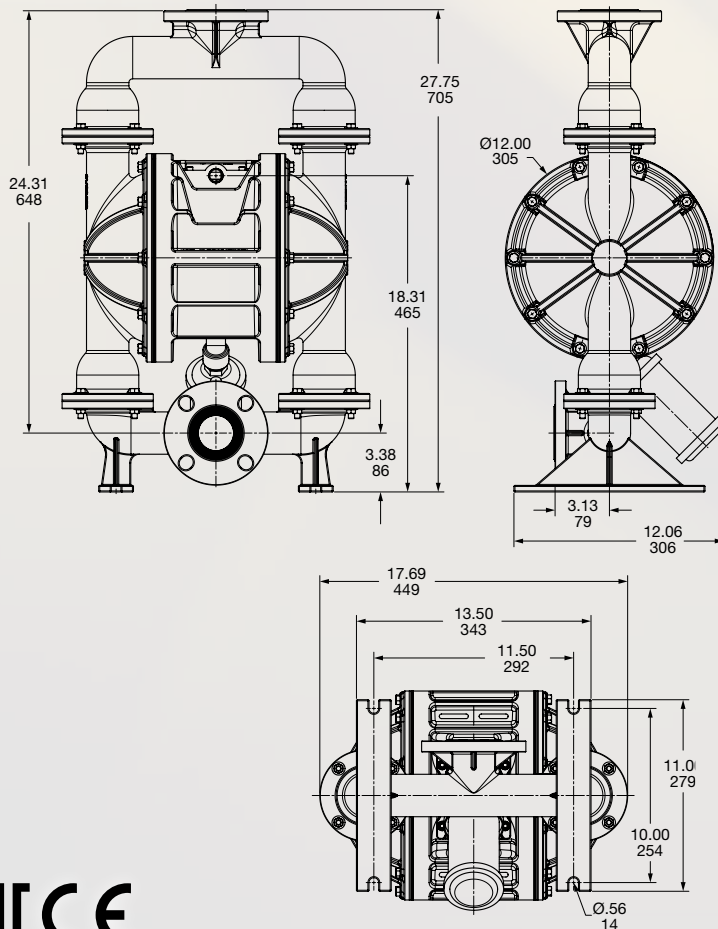
Shipping Weights

Cast Iron. 115 lbs (52 kg)

Hastelloy C. 123 lbs (56 kg)

Stainless Steel. 115 lbs (52 kg)

Dimensions



EAC CE

VERSA-MATIC

Warren Rupp, Inc. • A Unit of IDEX Corporation
800 North Main Street, Mansfield, OH 44902 USA
Phone: 419.526.7296 • Fax: 419.526.7289 • www.versamatic.com

u2msmMB-rev0817