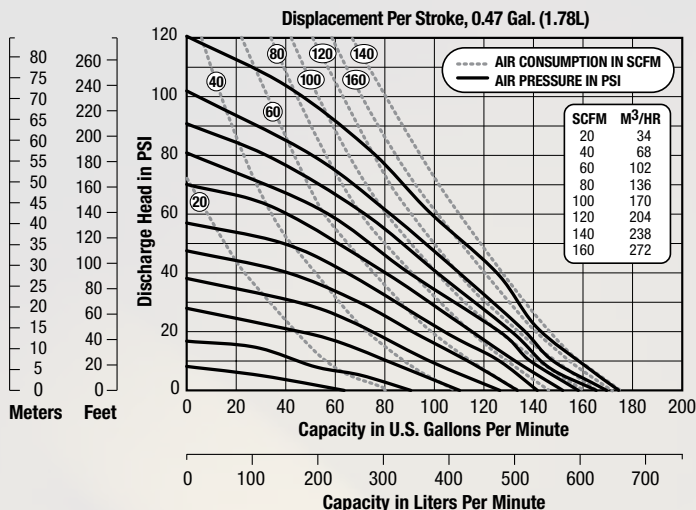


2" Ultra-Matic Bolted Aluminum with Metallic Center Section

U2

Performance



Specifications

Flow Rate

Adjustable to 0-175 gpm (662 lpm)

Port Size

Suction 2" NPT

Discharge 2" NPT

Air Inlet 1/2" NPT

Air Exhaust 3/4" NPT

Suction Lift (Dry)

Rubber 20' (6.10 m)

PTFE 10' (3.05 m)

Max Solid Size (Diameter)

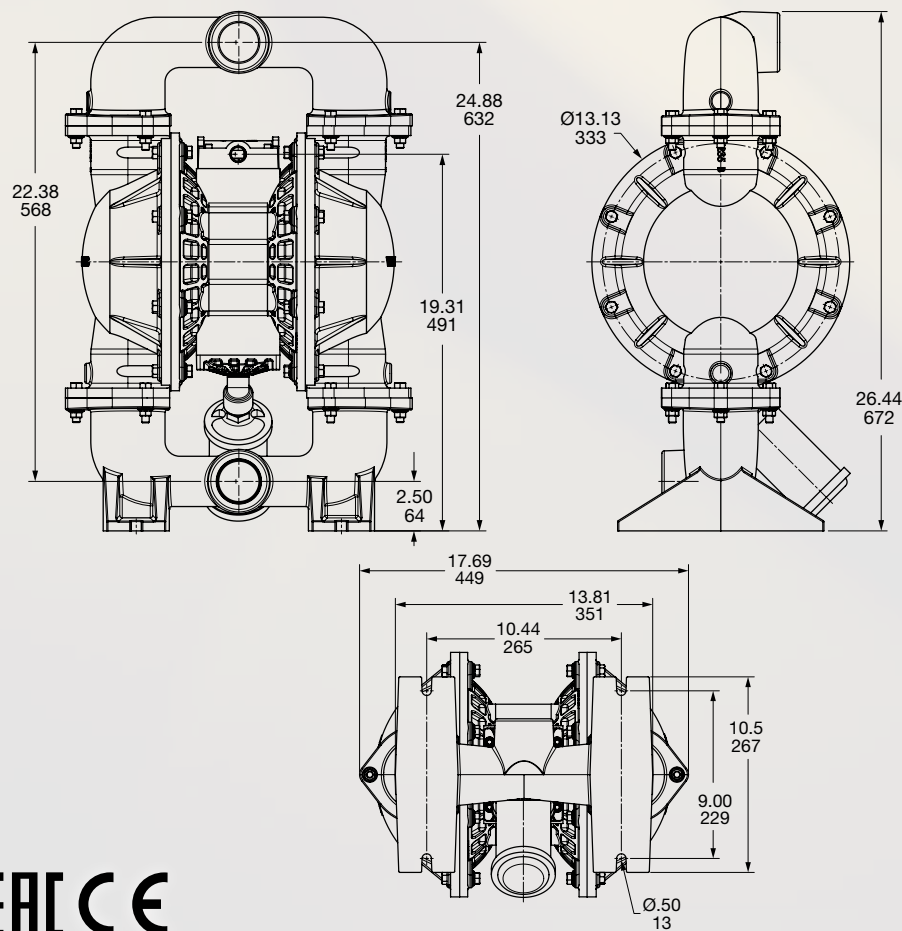
..... 7/16" (11.1 mm)

Shipping Weights

Aluminum 75 lbs (34 kg)

NOTE: Performance based on the following: elastomeric fitted pump, flooded suction, water at ambient conditions. The use of other materials and varying hydraulic conditions may result in deviations in excess of 5%.

Dimensions



EAC CE

VERSA-MATIC

Warren Rupp, Inc. • A Unit of IDEX Corporation
800 North Main Street, Mansfield, OH 44902 USA
Phone: 419.526.7296 • Fax: 419.526.7289 • www.versamatic.com

u2msmAB-rev0817