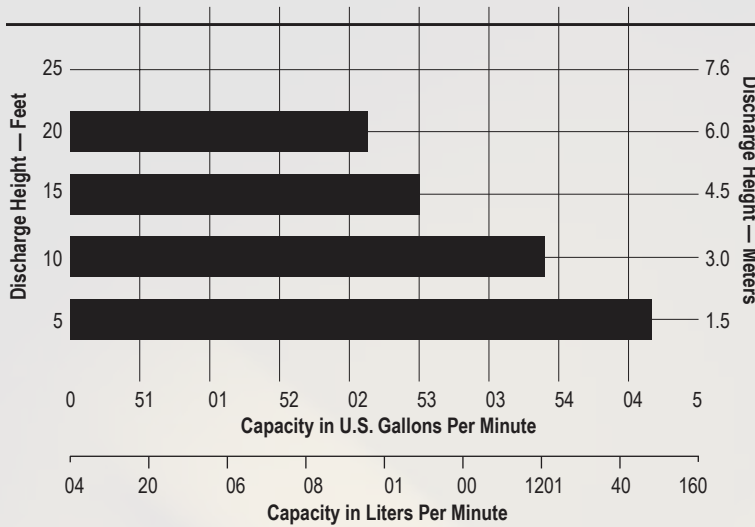


# Porta-Matic™ Battery-Powered Portable Pump

PP

## Performance



NOTE: Performance based on the following: elastomeric fitted pump, flooded suction, water at ambient conditions. The use of other materials and varying hydraulic conditions may result in deviations in excess of 5%.

## Specifications

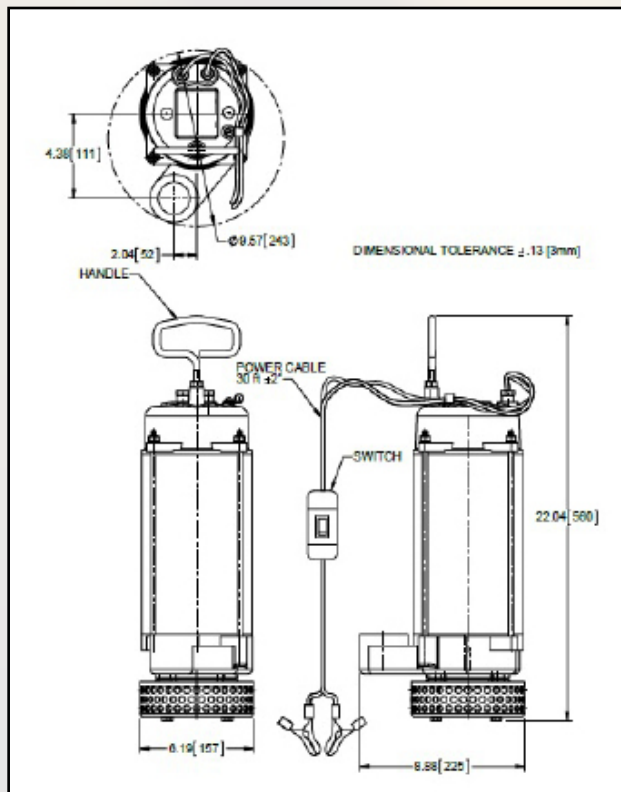
**Flow Rate**  
Adjustable to ..... 43 gpm (163 lpm)

**Max Head Pressure**  
..... 25' (7.6m)

**Fluid Outlet** .....  
..... 1.5" NPT or BSPT (female)

**Weight** ..... .33lbs (14.37kg)

## Dimensions



EAC CE

VERSAMATIC

Warren Rupp, Inc. • A Unit of IDEX Corporation  
800 North Main Street, Mansfield, OH 44902 USA  
Phone: 419.526.7296 • Fax: 419.526.7289 • [www.versamatic.com](http://www.versamatic.com)

PortaMatic-rev0817