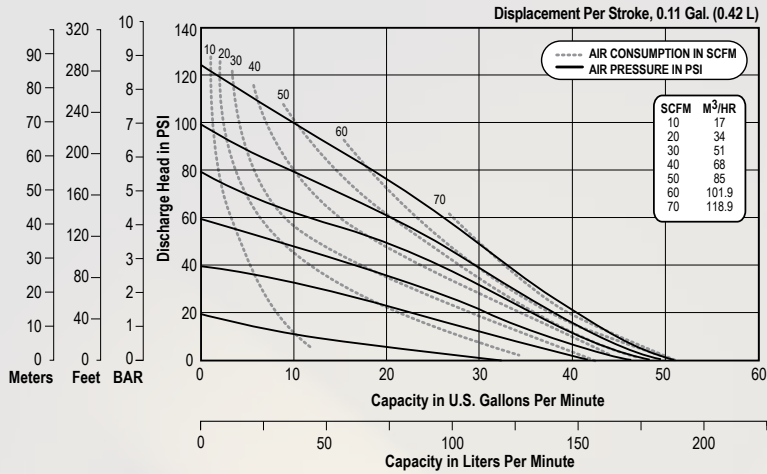


1 1/2" Elima-Matic 3-A Certified with Metallic Center Section

E4

Performance

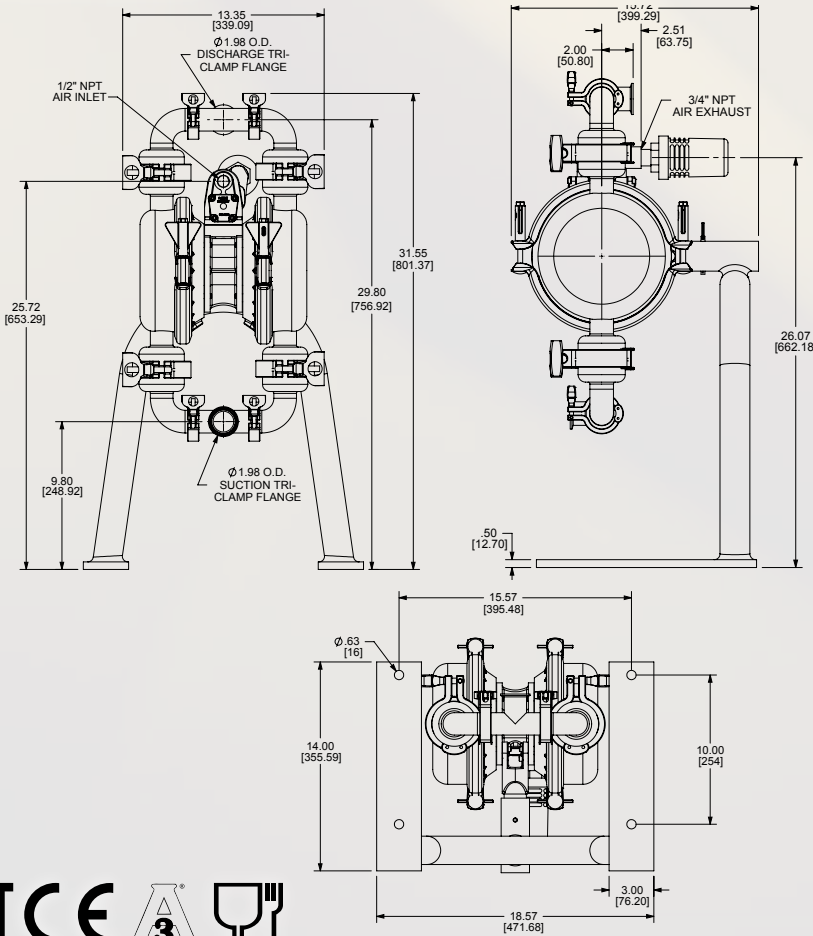


NOTE: Performance based on the following: elastomeric fitted pump, flooded suction, water at ambient conditions. The use of other materials and varying hydraulic conditions may result in deviations in excess of 5%.

Specifications

- Flow Rate**
Adjustable to 0-51 gpm (193 lpm)
- Port Size**
Suction 1 1/2" Tri-Clamp
Discharge 1 1/2" Tri-Clamp
- Air Inlet** 1/2" NPT
- Air Exhaust** 3/4" NPT
- Suction Lift**
Dry 15' (4.57 m)
Wet 25' (7.62 m)
- Max Solid Size (Diameter)**
. 3/8" (9.5 mm)
- Max Noise Level** 101 dB(A)
- Shipping Weights**
Stainless Steel 75 lbs (34 kg)

Dimensions



Versa-Sense II leak detection unit comes standard on all 3A pumps.

