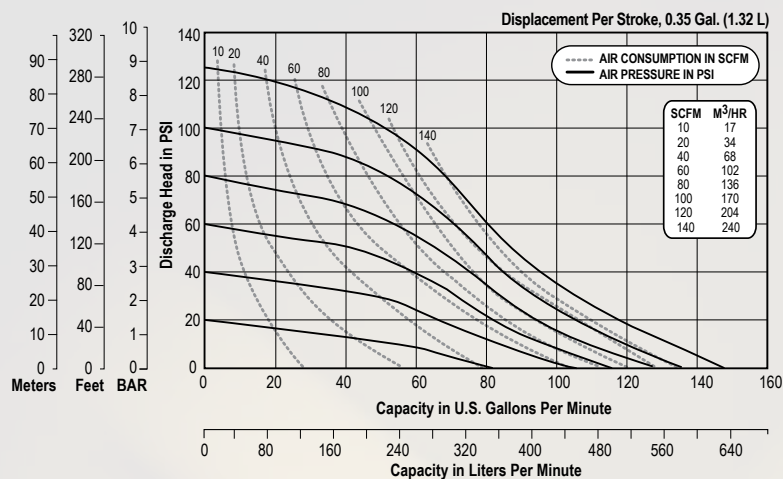


# 2" Elima-Matic 3-A Certified with Metallic Center Section

# E2

## Performance

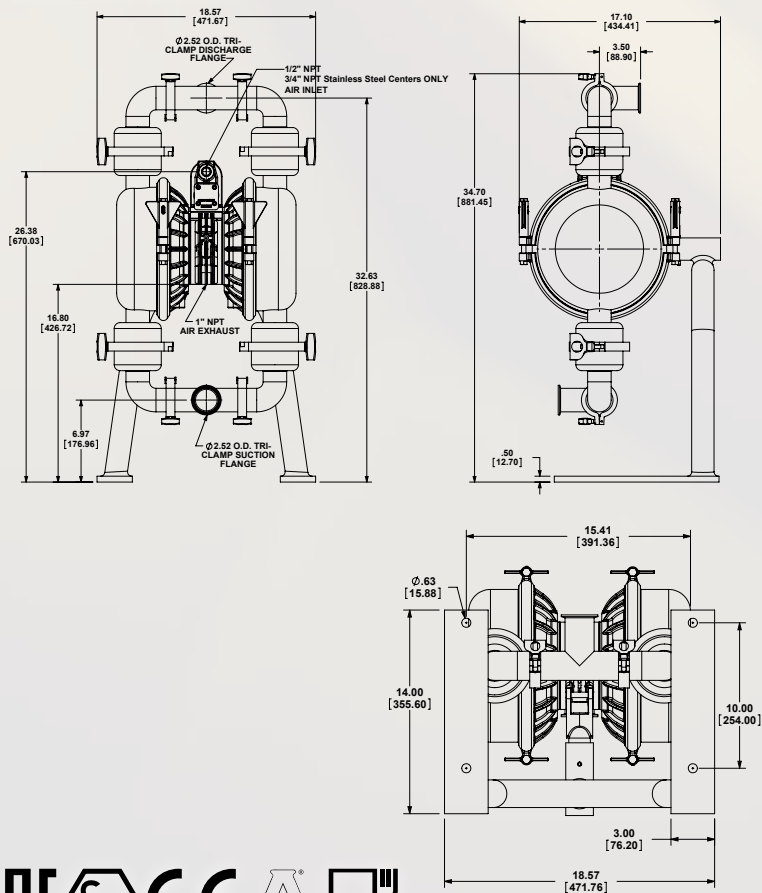


NOTE: Performance based on the following: elastomeric fitted pump, flooded suction, water at ambient conditions. The use of other materials and varying hydraulic conditions may result in deviations in excess of 5%.

## Specifications

- Flow Rate**  
Adjustable to . . . . . 0-147 gpm (556 lpm)
- Port Size**  
Suction . . . . . 2" TRI-CLAMP  
Discharge . . . . . 2" TRI-CLAMP
- Air Inlet** . . . . . 1/2" NPT  
. . . 3/4" NPT (Stainless Steel Centers ONLY)
- Air Exhaust** . . . . . 1" NPT
- Suction Lift**  
Dry . . . . . .9' (2.7 m)  
Wet . . . . . .27' (8.2 m)
- Max Solid Size (Diameter)**  
. . . . . .5/8" (15.8 mm)
- Max Noise Level** . . . . . 98 dB(A)
- Shipping Weights**  
Stainless . . . . . 125 lbs (56.7 kg)

## Dimensions



Versa-Sense II leak detection unit comes standard on all 3A pumps.

