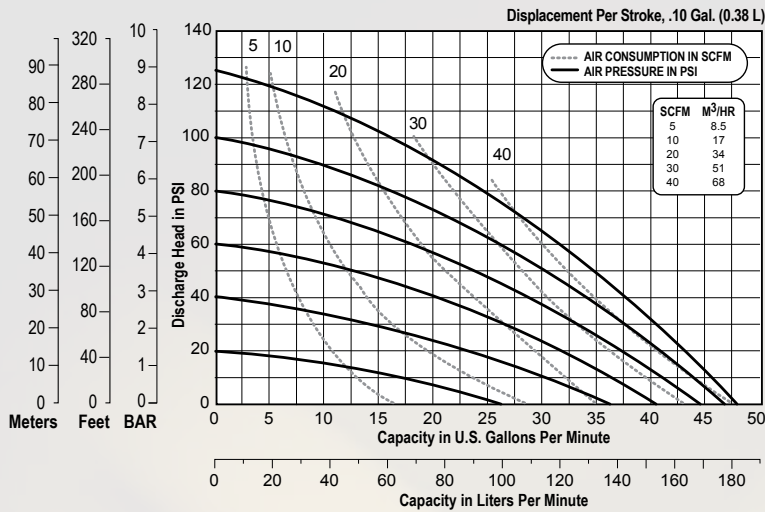


# 1" Elima-Matic Bolted Metal – Food Processing ATEX

with Metallic Center Section

# E1

## Performance

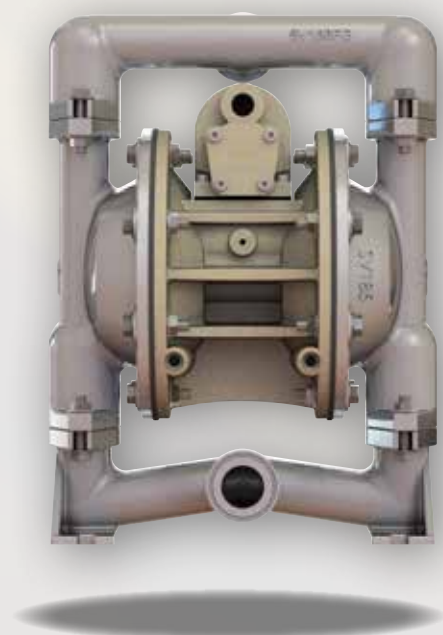
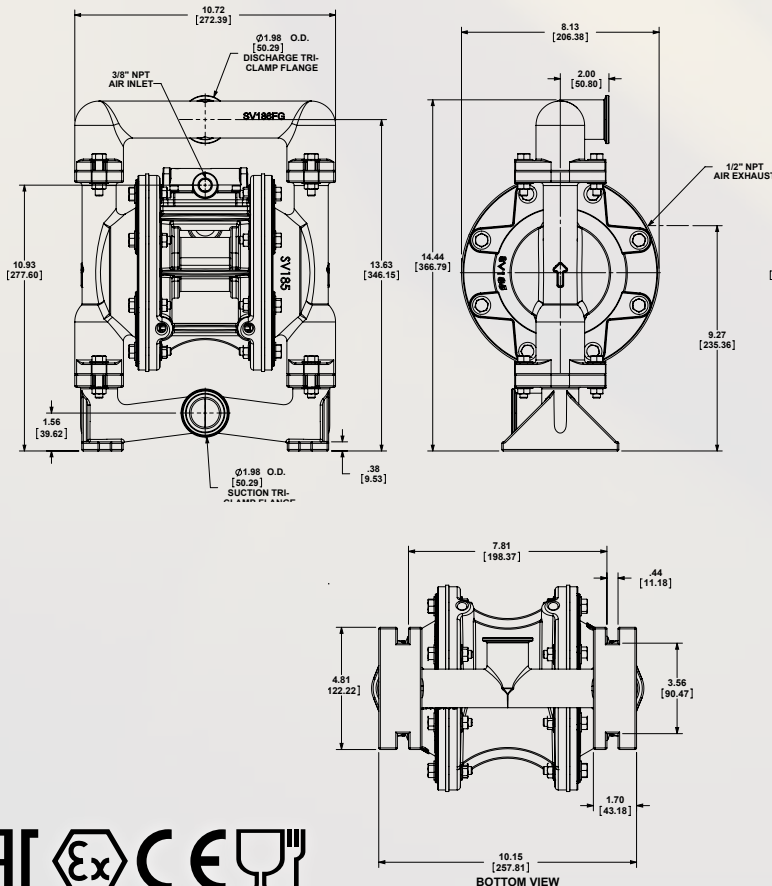


NOTE: Performance based on the following: elastomeric fitted pump, flooded suction, water at ambient conditions. The use of other materials and varying hydraulic conditions may result in deviations in excess of 5%.

## Specifications

- Flow Rate**  
Adjustable to ..... 0-49 gpm (185.5 lpm)
- Port Size**  
Suction ..... 1½" TRI-CLAMP  
Discharge ..... 1½" TRI-CLAMP
- Air Inlet** ..... 3/8" NPT
- Air Exhaust** ..... 1/2" NPT
- Suction Lift**  
Dry ..... .16' (4.9 m)  
Wet ..... .31' (9.4 m)
- Max Solid Size (Diameter)**  
..... 1/8" (3.1 mm)
- Max Noise Level** ..... 93 dB(A)
- Shipping Weights**  
Stainless Steel ..... 36 lbs (16.3 kg)

## Dimensions



Warren Rupp, Inc. • A Unit of IDEX Corporation  
800 North Main Street, Mansfield, OH 44902 USA  
Phone: 419.526.7296 • Fax: 419.526.7289 • [www.versamatic.com](http://www.versamatic.com)

e1mdlCsmATEXFP-rev0817