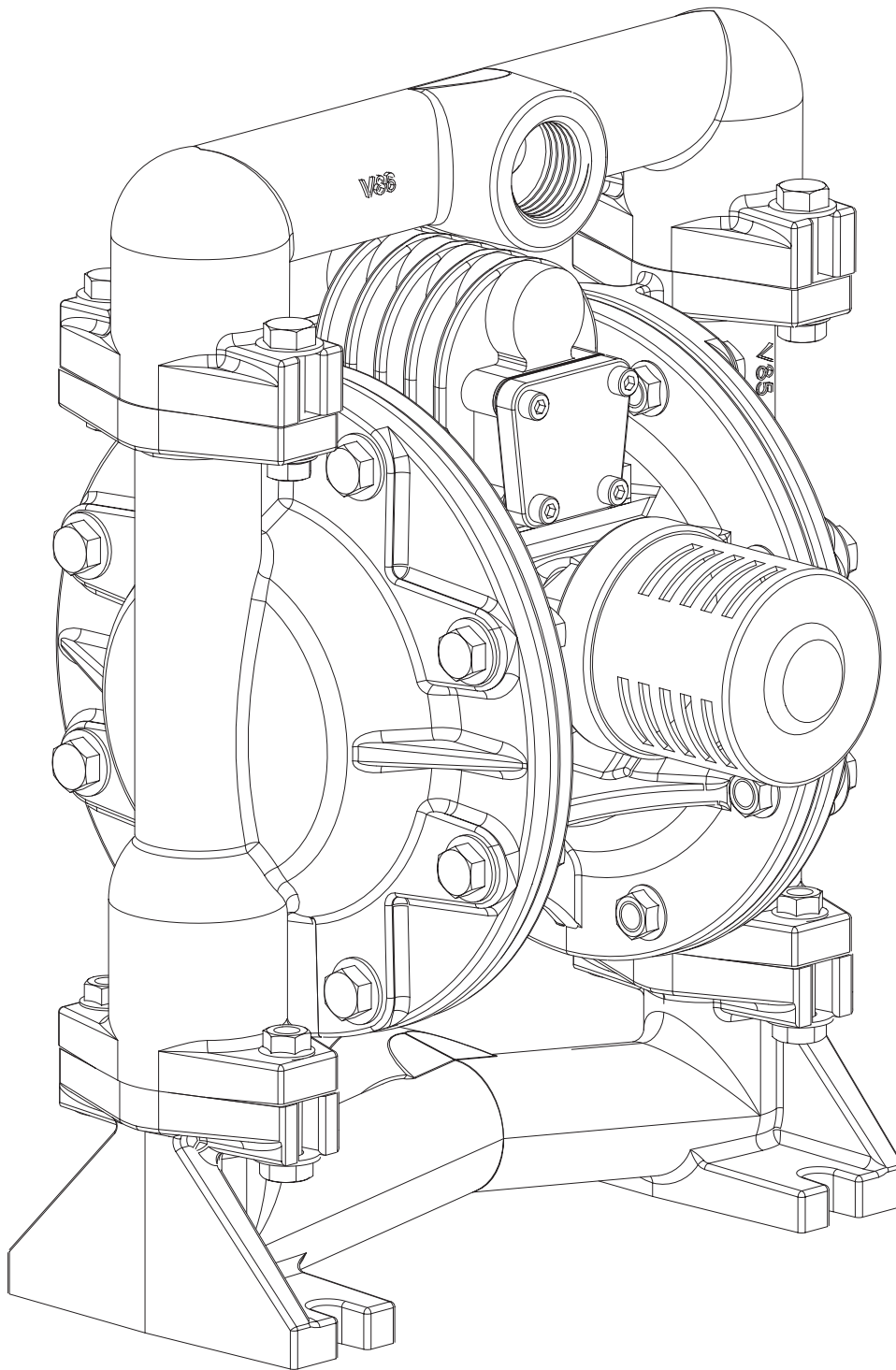


# E1 1" Bolted Metallic Pumps With Metallic Center Sections

## Operating Instructions

**VERSA-MATIC  
PUMP**

Member of  
*Hydraulic*  
INSTITUTE



E1 Aluminum  
E1 Hastelloy C  
E1 Stainless Steel



**IDEX**  
IDEX CORPORATION



# SAFETY WARNINGS

**Read these instructions completely before installation and start-up. It is the responsibility of the purchaser to retain this manual for reference. Failure to comply with the recommendations stated in this manual could result in death, serious bodily injury and/or property damage including damage to the pump and/or voiding the factory warranty.**

**Correct pump selection** is crucial to the pump operation. Please assure pressure, temperature and chemical compatibility before installation. Please consult Versa-Matic Pump, Engineering Specifications, Chemical Compatibility Chart, or your distributor if in doubt about any application.

## **Operating Limitations for Various Elastomers**

Neoprene	0°F (-18°C) to 200°F (93°C)
Buna-N	10°F (-12°C) to 180°F (82°C)
Nordel	-60°F (-51°C) to 280°F (138°C)
Viton	-40°F (-40°C) to 350°F (176°C)
Teflon	40°F (4°C) to 220°F (105°C)
Polyurethane	10°F (-12°C) to 170°F (77°C)
XL TPE	-20°F (-29°C) to 300°F (149°C)
FDA Hytrel	-20°F (-29°C) to 220°F (104°C)

## **Operating Limitations for Plastic Pumps**

Kynar (PVDF)	10°F (-12°C) to 225°F (107°C)
Polypropylene	32°F (0°C) to 175°F (79°C)

**Maximum temperature limits** are based upon mechanical stress only. Certain chemicals and environment conditions significantly reduce maximum safe temperature limits.

**Before pump operation**, inspect all gasketed fasteners for looseness caused by gasket creep. Re-torque all loose fasteners to prevent leakage. Follow recommended torques

stated in this manual. Failure of the sealing components creates the possibility of jetting or forceful discharge of pumped material at a potentially harmful velocity.

**Be certain that approved eye protection and protective clothing** are always worn during installation, service, maintenance or when in the vicinity of the pump. Failure to follow these recommendations may result in serious injury or death.

**Never allow** the piping system to be supported by the pump manifolds or valve housing. The manifolds and valve housing are not designed to support any structural weight and failure of the pump may result.

**Take action to prevent static sparking.** Fire or explosion can result, especially when handling flammable liquids. The pump, piping, valves, containers, or other miscellaneous equipment must be grounded.

**Noise levels** can exceed 85 dBA. Take precautions to prevent personal injury due to excessive pump noise.

**Do not exceed** pump maximum operating pressure (found on label and/or operating manual.)

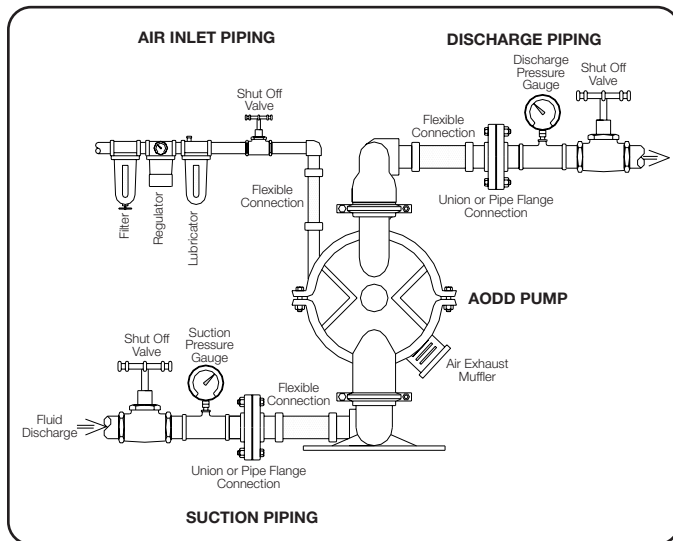
**Before doing any maintenance** or repair on this pump, be certain all pressure is completely vented for the pump, suction, discharge, piping, and all other openings.

**In the event of a diaphragm rupture**, pumped material may enter the air end of the pump and be discharged into the atmosphere. If pumping a product that is hazardous or toxic, the air exhaust must be piped to an appropriate area for safe disposition.

# INSTALLATION, OPERATION AND MAINTENANCE

## Installation

The pump should be mounted in a vertical position. In permanent installations, the pump should be attached to plant piping using a flexible coupling on both the intake and discharge connections to reduce vibration to the pump and piping. To further reduce vibration, a surge suppressor next to the pump may be used.



Suction pipe size should be at least the same diameter as the inlet connection size, even larger if highly viscous fluid is to be pumped. If suction hose is used, it must be of a non-collapsible reinforced type. Discharge piping should be of at least the same diameter as the discharge connection. It is critical,

especially on the suction side of the pump, that all fittings and connections are air tight or pumping efficiency will be reduced and priming will be difficult.

Make certain the air supply line and connections and compressor are capable of supplying the required pressure and volume of air to operate the pump at the desired flow rate. The quality of the compressed air source should be considered. Air that is contaminated with moisture and dirt may result in erratic pump performance and increased maintenance cost as well as frequent process “down time” when the pump fails to operate properly.

## Pump Operation

The pump is powered by compressed air. Compressed air is directed to the pump air chamber by the main air valve. The compressed air is separated from the fluid by a membrane called a diaphragm. The diaphragm in turn applies pressure on the fluid and forces it out of the pump discharge. While this is occurring, the opposite air chamber is de-pressurized and exhausted to atmosphere and fluid is drawn into the pump suction. The cycle again repeats, thus creating a constant reciprocating action which maintains flow through the pump. The flow is always in through the bottom suction connection and out through the top discharge connection. Since the air pressure acts directly on the diaphragms, the pressure applied to the fluid roughly approximates the air supply pressure supplied to the main air valve.

### Recommended Piping Connections

Pump Size	Minimum Air Line Size	Minimum Suction Line Size
1/2"	1/2"	1/2"
1"	1/2"	1"
1-1/2"	1/2"	1-1/2"
2"	1/2"	2"
3"	3/4"	3"

### E1 Bolted Metallic Pump Torque Settings

Manifold Bolts	230 in-lbs (26.0 N-m)
Water Chamber Bolts	185 in-lbs (20.9 N-m)
Diaphragm Plates — Rubber	10 ft-lbs (13.6 N-m)
Diaphragm Plates — Teflon	10 ft-lbs (13.6 N-m)
Air Valve Cap Screws	30 ft-lbs (3.4 N-m)

### Elastomer Suffix Codes

Suffix Code	Material
A	Acetal
BN	Buna-N, Nitrile
N	Neoprene
ND	Nordel, EPDM
TF	Teflon
FG	Hytrel
XL	XL, Santoprene
VT	Viton
TX	Bonded Teflon

# PARTS LIST

## AIR VALVE ASSEMBLY

Item	Description	Qty	Aluminum
1	Valve Body	1	P50-102A
2	Valve Spool	1	P98-104
3	Valve Spool U-cup	2	P98-104A
4	End Cap	2	P98-300
5	End Cap Gasket	2	P98-110
6	Bearing Sleeve	2	P98-103
6A	Bearing Sleeve O-ring	2	P98-103A
7	Air Diverter	1	P98-105
8	Valve Insert	1	P98-106
9	Valve Gasket	1	P98-111
10	Valve Cap Screw	12	P24-208

## AIR END ASSEMBLY

Item	Description	Qty	Aluminum
11	Center Section	1	P50-101SC
18	Pilot Shaft	1	P50-112
19	Pilot Shaft Spacer	5	P24-106
20	Pilot Shaft O-Ring	6	P24-107
21	Nut	2	P24-108
22	Shaft Retainer	2	E101B
25	Shaft Retainer Screw	4	P24-208
33	Muffler	1	VTM-4

## DIAPHRAGM ASSEMBLY

Item	Description	Qty	TPE Rugged	Teflon Bonded	Teflon 2-Piece
34	Main Shaft O-Ring	2	P50-403	P50-403	P50-403
35	Main Shaft	1	P50-107	P50-108	P50-108
37	Inner Diaphragm Plate	2	V181C	V181TI	V181TI
38	Outer Diaphragm Plate	2	V81B, SV181B	SV181TO	SV181TO
40	Diaphragm	2	V183BN-1, V183N-1, V183ND-1, V183TPEXL-1, V183TPEFG-1, V183VT-1	V183TF-1	V183TX
41	Back-up Diaphragm	2	N/R	V183TB	N/R

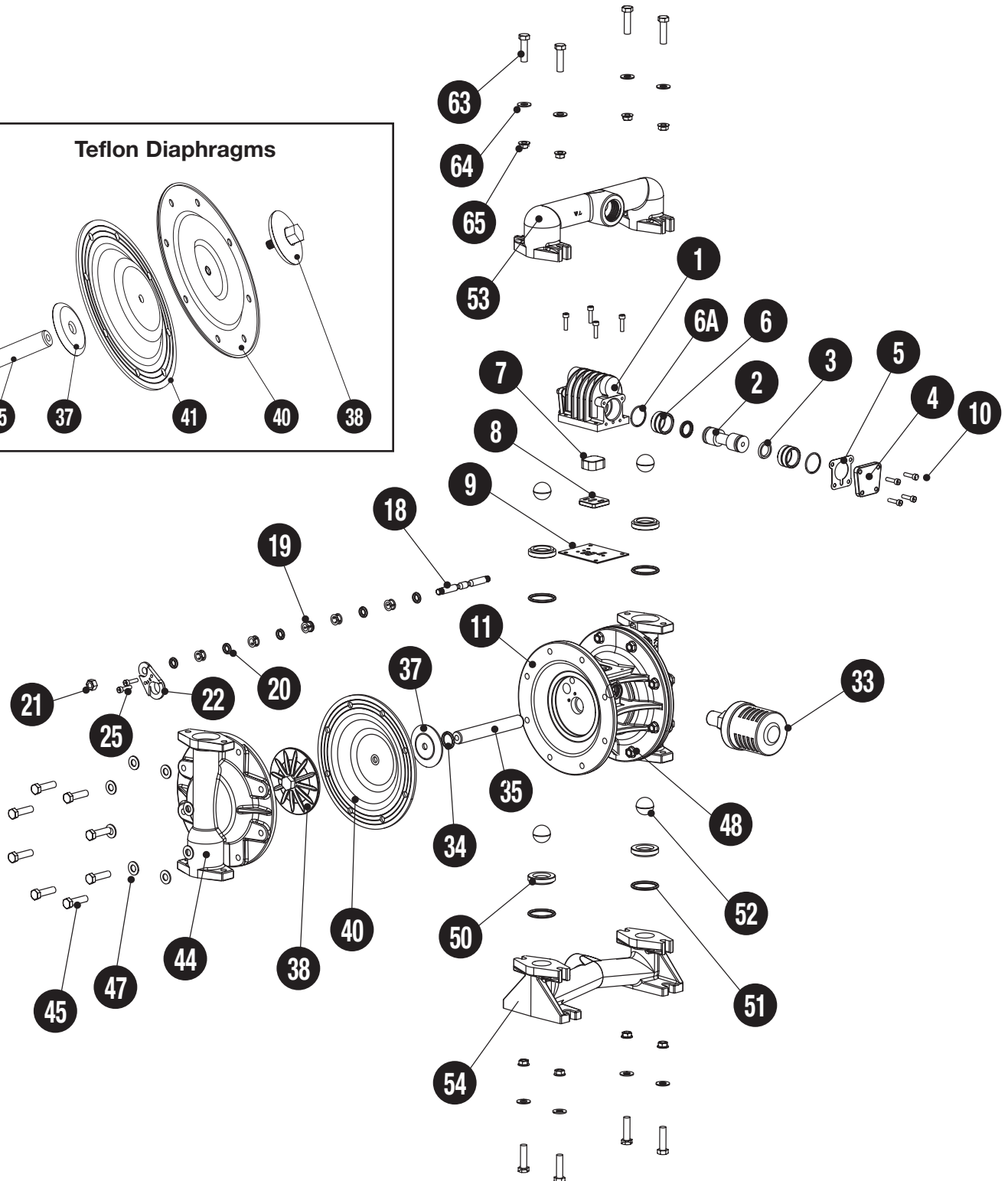
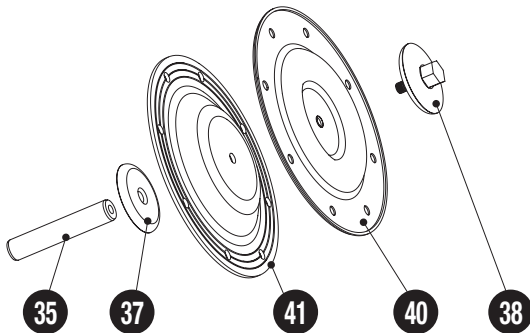
## WET END ASSEMBLY

Item	Description	Qty	Aluminum	Stainless Steel	Hastelloy C
44	Water Chamber	2	V85	SV185	HV185
45	Water Chamber Bolt	16	V189A	SV189A	SV189A
47	Water Chamber Washer	16	V189C	SV189C	SV189C
48	Water Chamber Nut	16	V185B	SV185B	SV185B
50	Valve Seat	4	V90A	SV190	HV190
51	Valve Seat O-Ring	4	V90BN, V90ND, V90VT, SV190TF		
52	Valve Ball	4	V191BN, V191N, V191ND, V191TF, V191TPEFG, V191TPEXL, V191VT		
53	Discharge Manifold	1	V86	SV186	HV186
54	Inlet Manifold	1	V87	SV187	HV187
63	Manifold Bolt	8	V187A	SV189A	SV189A
64	Manifold Washer	8	V189C	SV189C	SV189C
65	Manifold Nut	8	V185B	SV185B	SV185B

# EXPLODED VIEWS

Exploded View shows Rugged Diaphragm

Teflon Diaphragms





# ATEX INFORMATION

## Products:

### 1. Elima-Matic and Ultra-Matic Pumps

II 2 G / II 3 G EEx c T4/T5

Group II, category 2 and 3, gas explosive atmosphere, constructional safety ignition protection, Temperature rating "T4" for fluids up to 130°C and "T5" for fluid up to 95°C. Temperatures are not to exceed the ATEX ratings.

### 2. Elima-Matic Cast Iron Pumps with Stainless Steel Air Ends

II M2 EEx c I T4/T5

Group I, category M2, constructional safety ignition protection, Temperature rating "T4" for fluids up to 130°C and "T5" for fluid up to 95°C. Temperatures are not to exceed the ATEX ratings.

This includes the various sizes, elastomers and threading options. See Model Sheet for Details.

Constructed after 2003

**CAUTION: USE CARE WHEN PUMPING HOT FLUIDS**



### **Versa-Matic Pump Company**

6017 Enterprise Drive  
Export, PA 15632-8969  
(724) 327-7867  
(724)327-4300 — fax

[www.versamatic.com](http://www.versamatic.com)

**Local Authorized Distributer:**



